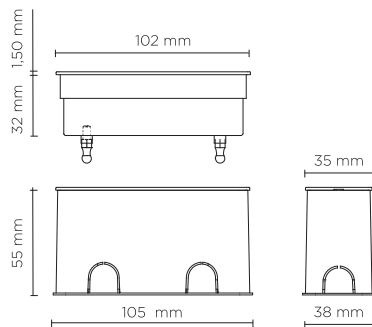




209001

# HYDROFLOOR NANO LINEAR HP

Linear shape ground-recessed luminaire for outdoor installation. Body in hard anodized aluminum with phosphochromatised and polyester powder coating and frontal cover in stainless steel AISI 316L, tempered safety glass. Remote constant current max 700mA driver needed, with 3 CREE XP-G2 LED. IP68 rating.



## 350 mA - LED POWER 3W

light source	light beam options	lumen output (lm)	lumin. efficacy (lm/w)
<b>2700°K warm-white</b>			
high-power led	8°	300	100.00
high-power led	32°	287	95.80
high-power led	45°	278	92.80
<b>3000°K warm-white</b>			
high-power led	8°	306	102.00
high-power led	32°	293	97.80
high-power led	45°	284	94.80
<b>4000°K neutral-white</b>			
high-power led	8°	312	104.00
high-power led	32°	300	99.80
high-power led	45°	290	96.80

### Finish color options:

Stainless Steel

### Technical features



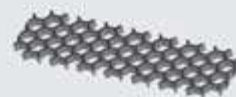
NEW

### Technical data

Wattage	MAX 6 WATT
IP Rating	IP68
IK Rating	IK08
Material	Hard anodized aluminum
Trim	Stainless steel AISI 316L
Coating	Polyester powder coating with phosphochromating pre-finish
Light source	3 x CREE XP-G2 LED
Screws	Stainless steel
Remote driver	Constant current max 700mA
Glass	Tempered
Power cable	1 mt. power cable included
Gross weight	0,50 Kg



AC125  
HONEYCOMB LOUVER



**500 mA - LED POWER 4.5W**

light source	light beam options	lumen output (lm)	lumin. efficacy (lm/w)
<b>2700°K warm-white</b>			
high-power led	8°	378	83.75
high-power led	32°	360	80.25
high-power led	45°	350	77.75
<b>3000°K warm-white</b>			
high-power led	8°	387	86.25
high-power led	32°	373	82.75
high-power led	45°	360	80.25
<b>4000°K neutral-white</b>			
high-power led	8°	396	87.88
high-power led	32°	380	84.50
high-power led	45°	369	82.00

**700 mA - LED POWER 6W**

light source	light beam options	lumen output (lm)	lumin. efficacy (lm/w)
<b>2700°K warm-white</b>			
high-power led	8°	538	89.70
high-power led	32°	512	85.33
high-power led	45°	501	83.60
<b>3000°K warm-white</b>			
high-power led	8°	546	90.69
high-power led	32°	522	87.20
high-power led	45°	507	84.60
<b>4000°K neutral-white</b>			
high-power led	8°	558	93.00
high-power led	32°	534	89.00
high-power led	45°	518	86.30

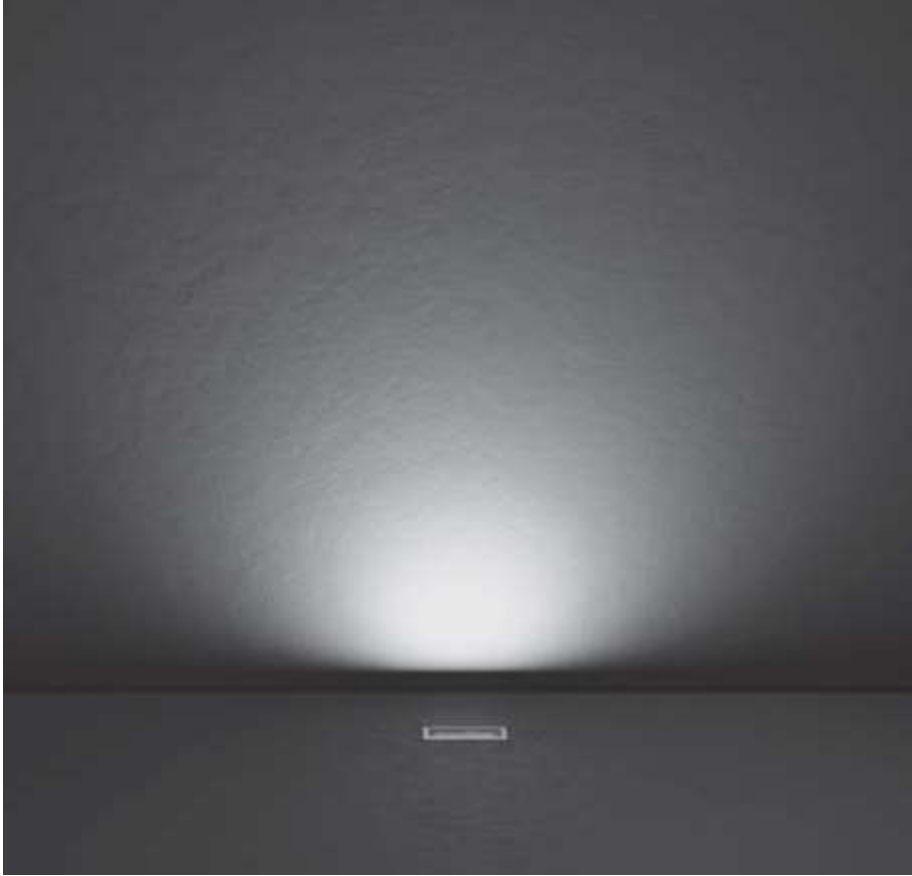
**209004**

# HYDROFLOOR NANO LINEAR TRIMLESS HP

Trimless version, all other details are same as model 209001


**remote driver selection**

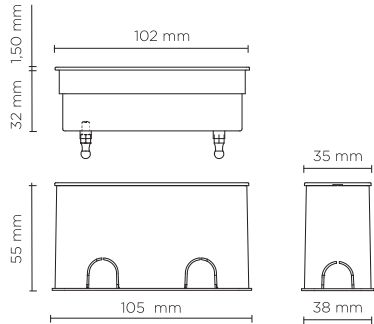
brand	manufacturer code	type	watt	IP rate	numbers of fixtures
ALVIT Italy	AL1435S-IP	constant current 350mA	14W	IP67	min 1 - max 4
ALVIT Italy	AL1450S-IP	constant current 500mA	14W	IP67	min 1 - max 3
ALVIT Italy	AL1470S-IP	constant current 700mA	14W	IP67	min 1 - max 2
TCI Italy	152014/350	constant current 350mA	17W	IP68	min 1 - max 5
TCI Italy	152014/500	constant current 500mA	24W	IP68	min 1 - max 5
TCI Italy	152014/700	constant current 700mA	30W	IP68	min 1 - max 4






209002

# HYDROFLOOR NANO LINEAR WALL-WASHER

Linear shape ground-recessed luminaire for outdoor installation. Body in hard anodized aluminum with phosphochromatised and polyester powder coating and frontal cover in stainless steel AISI 316L, tempered safety glass. Remote constant current 500mA driver needed, with 16 x mid-power SAMSUNG 2835 LED. IP68 rating.



light source	light beam options	lumen output (lm)	lumin. efficacy (lm/w)
<b>2700°K warm-white</b>			
mid-power led	 WALL-WASHER	450	75.00
<b>3000°K warm-white</b>			
mid-power led	 WALL-WASHER	470	78.34
<b>4000°K neutral-white</b>			
mid-power led	 WALL-WASHER	490	81.67

**Finish color options:**

 Stainless Steel

**Technical features**





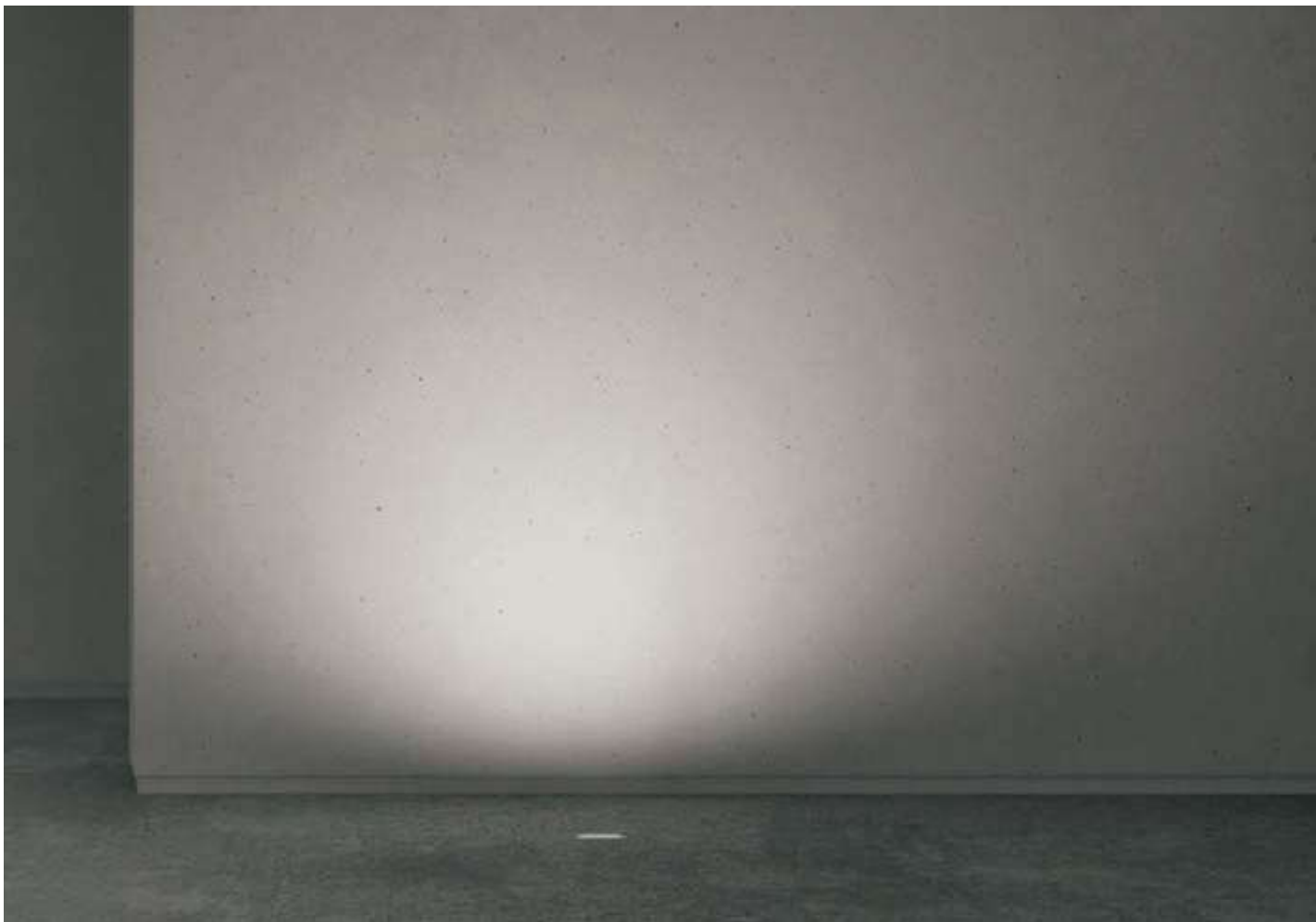



**NEW**

**Technical data**

Wattage	6 WATT
IP Rating	IP68
IK Rating	IK08
Material	Hard anodized aluminum
Trim	Stainless steel AISI 316L
Coating	Polyester powder coating with phosphochromating pre-finish
Light source	Nr. 16 x mid-power SAMSUNG 2835 LED
Screws	Stainless steel
Remote driver	Constant current max 500mA
Glass	Tempered
Power cable	1 mt. power cable included
Gross weight	0,50 Kg

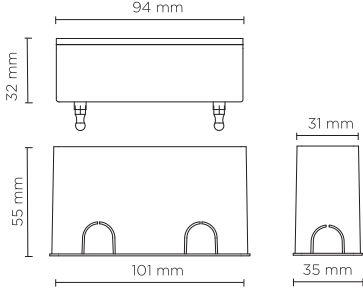




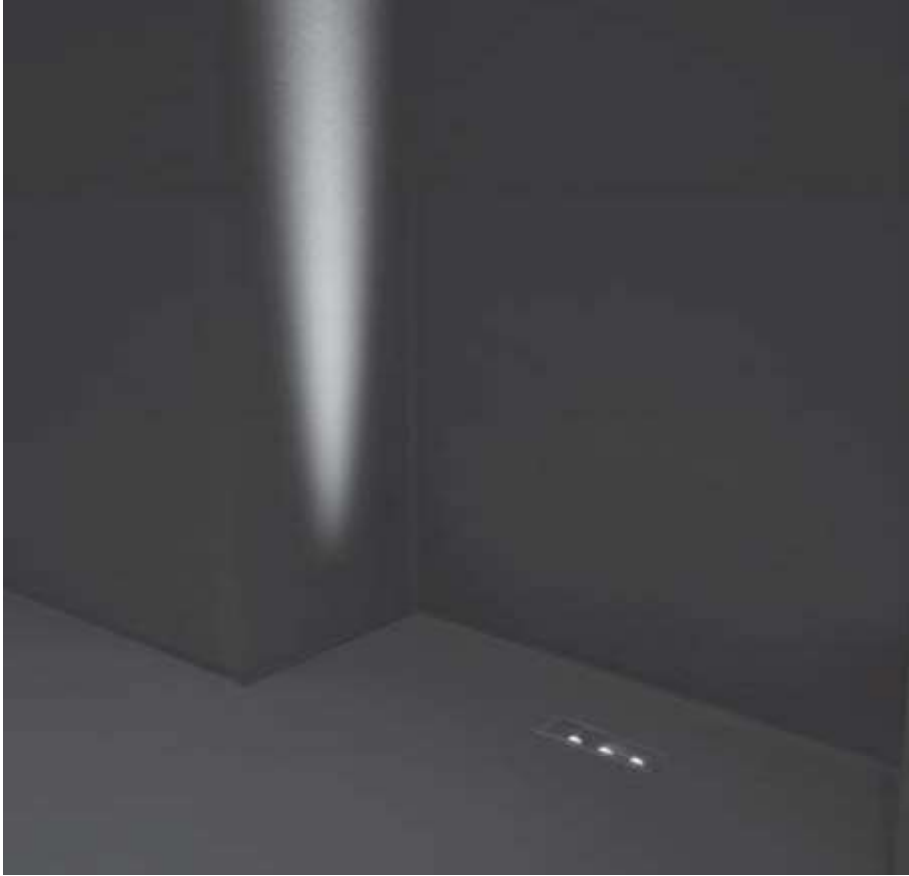
209005

# HYDROFLOOR NANO LINEAR TRIMLESS WALL-WASHER

Trimless version, all other details are same as model 209002



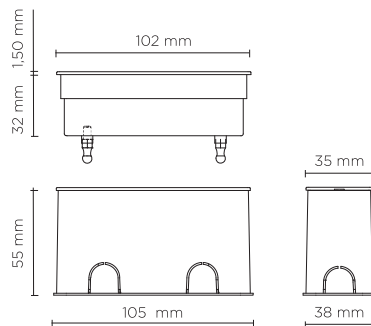
remote driver selection					
brand	manufacturer code	type	watt	IP rate	numbers of fixtures
ALVIT Italy	AL1450S-IP	constant current 500mA	14W	IP67	min 1 - max 2
TCI Italy	152014/500	constant current 500mA	24W	IP68	min 1 - max 3






209003

## HYDROFLOOR NANO LINEAR BLADE

Linear shape ground-recessed luminaire for outdoor installation. Body in hard anodized aluminum with phospho-chromatised and polyester powder coating and frontal cover in stainless steel AISI 316L, tempered safety glass. Asymmetric radial beam distribution. Remote constant current max 700mA driver needed, with 3 CREE XP-G2 LED. IP68 rating.



### 350 mA - LED POWER 3W

light source	light beam options	lumen output (lm)	lumin. efficacy (lm/w)
<b>2700°K warm-white</b>			
high-power led	 20°x100°	210	70.00
<b>3000°K warm-white</b>			
high-power led	 20°x100°	220	73.33
<b>4000°K neutral-white</b>			
high-power led	 20°x100°	230	76.66

#### Finish color options:

 Stainless Steel

#### Technical features



NEW

#### Technical data

Wattage	MAX 6 WATT
IP Rating	IP68
IK Rating	IK08
Material	Hard anodized aluminum
Trim	Stainless steel AISI 316L
Coating	Polyester powder coating with phosphochromating pre-finish
Light source	3 x CREE XP-G2 LED
Screws	Stainless steel
Remote driver	Constant current max 700mA
Glass	Tempered
Power cable	1 mt. power cable included
Gross weight	0,50 Kg






209006

# HYDROFLOOR NANO LINEAR TRIMLESS BLADE




Trimless version, all other details are same  
as model 209003



## 500 mA - LED POWER 4.5W

light source	light beam options	lumen output (lm)	lumin. efficacy (lm/w)
<b>2700°K warm-white</b>			
high-power led	 20°x100°	315	70.00
<b>3000°K warm-white</b>			
high-power led	 20°x100°	330	73.33
<b>4000°K neutral-white</b>			
high-power led	 20°x100°	345	76.66

## 700 mA - LED POWER 6W

light source	light beam options	lumen output (lm)	lumin. efficacy (lm/w)
<b>2700°K warm-white</b>			
high-power led	 20°x100°	420	70.00
<b>3000°K warm-white</b>			
high-power led	 20°x100°	440	73.33
<b>4000°K neutral-white</b>			
high-power led	 20°x100°	460	76.66

## remote driver selection

brand	manufacturer code	type	watt	IP rate	numbers of fixtures
ALVIT Italy	AL1435S-IP	constant current 350mA	14W	IP67	min 1 - max 4
ALVIT Italy	AL1450S-IP	constant current 500mA	14W	IP67	min 1 - max 3
ALVIT Italy	AL1470S-IP	constant current 700mA	14W	IP67	min 1 - max 2
TCI Italy	152014/350	constant current 350mA	17W	IP68	min 1 - max 5
TCI Italy	152014/500	constant current 500mA	24W	IP68	min 1 - max 5
TCI Italy	152014/700	constant current 700mA	30W	IP68	min 1 - max 4