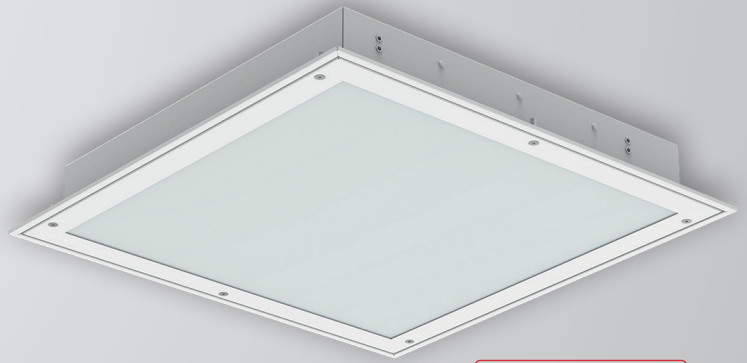
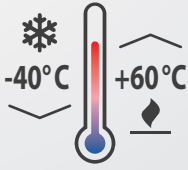


BORDER-N-LED-M625/PB

IP66/  ZONE 2/21, 22



FTZÚ 23 ATEX 0038X

FTZÚ 23 ATEX 0039X



Application: Recessed LED lighting fixture **designed for lighting of hazardous areas ATEX ZONE 2/21, 22** (pharmaceutical industry, food production, chemical warehouses, electric car battery production, etc.) Housing made of white painted steel sheet (RAL9016), stainless steel AISI304 or AISI316 as option. Diffuser made of clear glass in combination with opal or microprismatic diffuser, opal or microprismatic plastic diffuser. Equipped with high quality electronic components **for high lifetime up to 100 000 h and efficiency up to 158 lm/W**. Characterized by high lower degree of protection (IP66). Suitable for ambient temperatures from -40°C up to 60°C. Classified for **clean areas in compliance with ISO 14644-1**. Large variability of luminaires according to installation types - false ceiling M600/625, metal ceiling M598/M623 or plasterboard.

Driver: EP – electronic 220-240V / 50-60Hz AC, 220-240V, 0 Hz DC

Light source: LED, 4000K, CRI +80, MacAdam3

Housing: White painted steel sheet RAL 9016

Diffuser: **GLM** – matt tempered safety glass

OP – clear PC + opal plexiglass

MP – clear PC + microprismatic plexiglass

CGOP - clear tempered safety glass + opal plexiglass

CGMP - clear tempered safety glass + microprismatic plexiglass

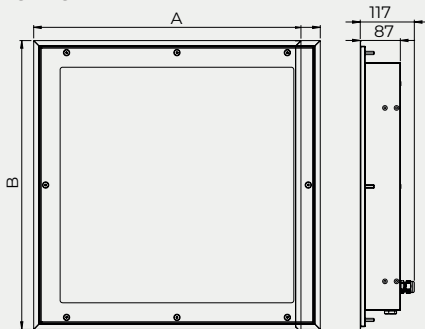
Fastening: Mounting into false ceilings of M600 modules or installation using nivelation set for plasterboard (not included). Minimum height of mounting space is 200 mm.

Connection: Screwless terminal block for easy mounting, maximum diameter of wires 2.5 mm²

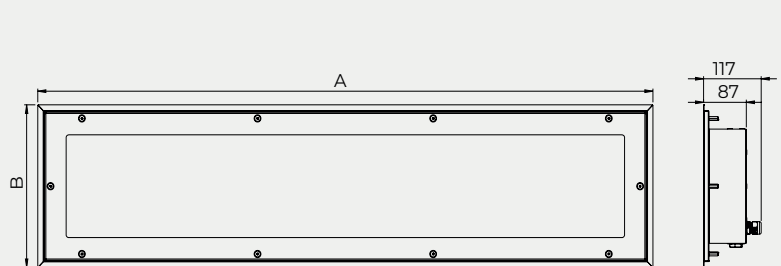
Standard equipment: 2pcs rubber plug M20 for diameter of cable 7-12 mm and 3 pcs EX M20 sealing plug

Calculated lifetime – LED modules: L80B10 Ta30 – 70 000 h, L70B10 Ta30 – 100 000 h

SQ - SQUARE



R - RECTANGULAR



ADVANTAGES:

- European product - Made in Czech Republic
- ATEX certification ZONE 2/21, 22
- Robust steel sheet or stainless steel housing
- High efficiency up to 158 lm/W
- Luminous flux versions from 3 300 to 12 000 lm
- Wide temperature resistance from -40°C to 60°C
- Classified for clean areas in compliance with ISO 14644-1

BORDER-N-LED ZONE 2/21 (FTZÚ 23 ATEX 0038X)

Ⓜ II 3G Ex nR IIC T6 Gc

Ⓜ II 2D Ex tb op is IIIC T85°C Db

BORDER-N-LED ZONE 2/22 (FTZÚ 23 ATEX 0039X)

Ⓜ II 3G Ex nR IIC T6 Gc

Ⓜ II 3D Ex tc IIIC T85°C Dc

TYPICAL APPLICATION:



Pharma
& Laboratories



Food & beverages
production areas



Petrochemical



Chemical
warehouses

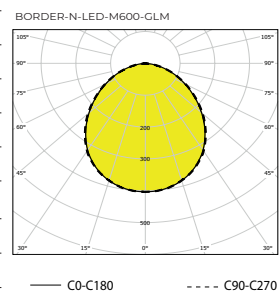


Car industry
workdecks

GLM - matt tempered safety glass

Order number	Name	Lighting fixture luminous flux (lm)	Power input (W)	Rated power output (lm/W)	Ta (°C)	Dimensions of lighting fixture A x B x C (mm)	Weight (kg)
SQ							
080610	BORDER-N-LED-2/21-M625/PB-SQ-GLM-3300-4K, IP66	2688	17	158	-20°C/60°C	620x620x87	11
080611	BORDER-N-LED-2/21-M625/PB-SQ-GLM-4800-4K, IP66	3978	27	147	-20°C/60°C	620x620x87	11
080612	BORDER-N-LED-2/21-M625/PB-SQ-GLM-6300-4K, IP66	5237	37	142	-20°C/60°C	620x620x87	11
080613	BORDER-N-LED-2/21-M625/PB-SQ-GLM-7200-4K, IP66	6067	41	148	-20°C/60°C	620x620x87	11
080614	BORDER-N-LED-2/21-M625/PB-SQ-GLM-8700-4K, IP66	7277	49	149	-20°C/60°C	620x620x87	11
080615	BORDER-N-LED-2/21-M625/PB-SQ-GLM-12000-4K, IP66	9996	70	143	-20°C/45°C	620x620x87	11
SQ - FROST							
081360	BORDER-N-LED-2/21-M625/PB-FROST-SQ-GLM-3300-4K, IP66	2688	17	158	-40°C/55°C	620x620x87	11
081361	BORDER-N-LED-2/21-M625/PB-FROST-SQ-GLM-4800-4K, IP66	3978	27	147	-40°C/55°C	620x620x87	11
081362	BORDER-N-LED-2/21-M625/PB-FROST-SQ-GLM-6300-4K, IP66	5237	37	142	-40°C/55°C	620x620x87	11
081363	BORDER-N-LED-2/21-M625/PB-FROST-SQ-GLM-7200-4K, IP66	6067	41	148	-40°C/60°C	620x620x87	11
081364	BORDER-N-LED-2/21-M625/PB-FROST-SQ-GLM-8700-4K, IP66	7277	49	149	-40°C/60°C	620x620x87	11
R							
080640	BORDER-N-LED-2/21-M625/PB-R-GLM-3300-4K, IP66	2630	17	155	-20°C/60°C	1247x312x87	12
080641	BORDER-N-LED-2/21-M625/PB-R-GLM-4800-4K, IP66	3906	27	145	-20°C/60°C	1247x312x87	12
080642	BORDER-N-LED-2/21-M625/PB-R-GLM-6300-4K, IP66	5143	37	139	-20°C/60°C	1247x312x87	12
080643	BORDER-N-LED-2/21-M625/PB-R-GLM-7200-4K, IP66	5928	41	145	-20°C/60°C	1247x312x87	12
080644	BORDER-N-LED-2/21-M625/PB-R-GLM-8700-4K, IP66	7077	49	144	-20°C/55°C	1247x312x87	12
080645	BORDER-N-LED-2/21-M625/PB-R-GLM-12000-4K, IP66	9816	70	140	-20°C/45°C	1247x312x87	12
R - FROST							
081390	BORDER-N-LED-2/21-M625/PB-FROST-R-GLM-3300-4K, IP66	2630	17	155	-40°C/60°C	1247x312x87	12
081391	BORDER-N-LED-2/21-M625/PB-FROST-R-GLM-4800-4K, IP66	3906	27	145	-40°C/60°C	1247x312x87	12
081392	BORDER-N-LED-2/21-M625/PB-FROST-R-GLM-6300-4K, IP66	5143	37	139	-40°C/60°C	1247x312x87	12
081393	BORDER-N-LED-2/21-M625/PB-FROST-R-GLM-7200-4K, IP66	5928	41	145	-40°C/60°C	1247x312x87	12
081394	BORDER-N-LED-2/21-M625/PB-FROST-R-GLM-8700-4K, IP66	7077	49	144	-40°C/60°C	1247x312x87	12

GLM – matt tempered safety glass

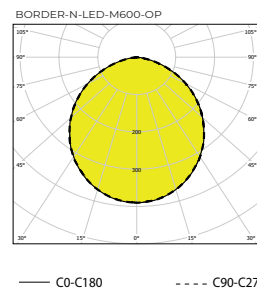


Tolerance of luminous flux and power input of the lighting fixture +/- 10%

OP – clear PC + opal plexiglass

Order number	Name	Lighting fixture luminous flux (lm)	Power input (W)	Rated power output (lm/W)	Ta (°C)	Dimensions of lighting fixture A x B x C (mm)	Weight (kg)
SQ							
080616	BORDER-N-LED-2/21-M625/PB-SQ-OP-3300-4K, IP66	2372	17	140	-20°C/60°C	620x620x87	11
080617	BORDER-N-LED-2/21-M625/PB-SQ-OP-4800-4K, IP66	3510	27	130	-20°C/60°C	620x620x87	11
080618	BORDER-N-LED-2/21-M625/PB-SQ-OP-6300-4K, IP66	4621	37	125	-20°C/60°C	620x620x87	11
080619	BORDER-N-LED-2/21-M625/PB-SQ-OP-7200-4K, IP66	5353	41	131	-20°C/60°C	620x620x87	11
080620	BORDER-N-LED-2/21-M625/PB-SQ-OP-8700-4K, IP66	6420	49	131	-20°C/60°C	620x620x87	11
080621	BORDER-N-LED-2/21-M625/PB-SQ-OP-12000-4K, IP66	8820	70	126	-20°C/45°C	620x620x87	11
SQ - FROST							
081366	BORDER-N-LED-2/21-M625/PB-FROST-SQ-OP-3300-4K, IP66	2372	17	140	-40°C/55°C	620x620x87	11
081367	BORDER-N-LED-2/21-M625/PB-FROST-SQ-OP-4800-4K, IP66	3510	27	130	-40°C/55°C	620x620x87	11
081368	BORDER-N-LED-2/21-M625/PB-FROST-SQ-OP-6300-4K, IP66	4621	37	125	-40°C/55°C	620x620x87	11
081369	BORDER-N-LED-2/21-M625/PB-FROST-SQ-OP-7200-4K, IP66	5353	41	131	-40°C/60°C	620x620x87	11
081370	BORDER-N-LED-2/21-M625/PB-FROST-SQ-OP-8700-4K, IP66	6420	49	131	-40°C/60°C	620x620x87	11
R							
080646	BORDER-N-LED-2/21-M625/PB-R-OP-3300-4K, IP66	2370	17	139	-20°C/60°C	1245x310x87	12
080647	BORDER-N-LED-2/21-M625/PB-R-OP-4800-4K, IP66	3519	27	130	-20°C/60°C	1245x310x87	12
080648	BORDER-N-LED-2/21-M625/PB-R-OP-6300-4K, IP66	4634	37	125	-20°C/60°C	1245x310x87	12
080649	BORDER-N-LED-2/21-M625/PB-R-OP-7200-4K, IP66	5341	41	130	-20°C/60°C	1245x310x87	12
080650	BORDER-N-LED-2/21-M625/PB-R-OP-8700-4K, IP66	6376	49	130	-20°C/55°C	1245x310x87	12
080651	BORDER-N-LED-2/21-M625/PB-R-OP-12000-4K, IP66	8844	70	126	-20°C/40°C	1245x310x87	12
R - FROST							
081396	BORDER-N-LED-2/21-M625/PB-FROST-R-OP-3300-4K, IP66	2370	17	139	-40°C/60°C	1245x310x87	12
081397	BORDER-N-LED-2/21-M625/PB-FROST-R-OP-4800-4K, IP66	3519	27	130	-40°C/60°C	1245x310x87	12
081398	BORDER-N-LED-2/21-M625/PB-FROST-R-OP-6300-4K, IP66	4634	37	125	-40°C/60°C	1245x310x87	12
081399	BORDER-N-LED-2/21-M625/PB-FROST-R-OP-7200-4K, IP66	5341	41	130	-40°C/60°C	1245x310x87	12
081400	BORDER-N-LED-2/21-M625/PB-FROST-R-OP-8700-4K, IP66	6376	49	130	-40°C/60°C	1245x310x87	12

OP – clear PC + opal plexiglass

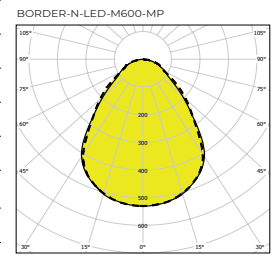


Tolerance of luminous flux and power input of the lighting fixture +/- 10%

MP - clear PC + microprismatic plexiglass

Order number	Name	Lighting fixture luminous flux (lm)	Power input (W)	Rated power output (lm/W)	Ta (°C)	Dimensions of lighting fixture A x B x C (mm)	Weight (kg)
SQ							
080622	BORDER-N-LED-2/21-M625/PB-SQ-MP-3300-4K, IP66	2359	17	139	-20°C/60°C	620x620x87	11
080623	BORDER-N-LED-2/21-M625/PB-SQ-MP-4800-4K, IP66	3491	27	129	-20°C/60°C	620x620x87	11
080624	BORDER-N-LED-2/21-M625/PB-SQ-MP-6300-4K, IP66	4596	37	124	-20°C/60°C	620x620x87	11
080625	BORDER-N-LED-2/21-M625/PB-SQ-MP-7200-4K, IP66	5324	41	130	-20°C/60°C	620x620x87	11
080626	BORDER-N-LED-2/21-M625/PB-SQ-MP-8700-4K, IP66	6386	49	130	-20°C/60°C	620x620x87	11
080627	BORDER-N-LED-2/21-M625/PB-SQ-MP-12000-4K, IP66	8772	70	125	-20°C/45°C	620x620x87	11

MP - clear PC + microprismatic plexiglass



Order number	Name	Lighting fixture luminous flux (lm)	Power input (W)	Rated power output (lm/W)	Ta (°C)	Dimensions of lighting fixture A x B x C (mm)	Weight (kg)
SQ - FROST							
081372	BORDER-N-LED-2/21-M625/PB-FROST-SQ-MP-3300-4K, IP66	2359	17	139	-40°C/55°C	620x620x87	11
081373	BORDER-N-LED-2/21-M625/PB-FROST-SQ-MP-4800-4K, IP66	3491	27	129	-40°C/55°C	620x620x87	11
081374	BORDER-N-LED-2/21-M625/PB-FROST-SQ-MP-6300-4K, IP66	4596	37	124	-40°C/55°C	620x620x87	11
081375	BORDER-N-LED-2/21-M625/PB-FROST-SQ-MP-7200-4K, IP66	5324	41	130	-40°C/60°C	620x620x87	11
081376	BORDER-N-LED-2/21-M625/PB-FROST-SQ-MP-8700-4K, IP66	6386	49	130	-40°C/60°C	620x620x87	11

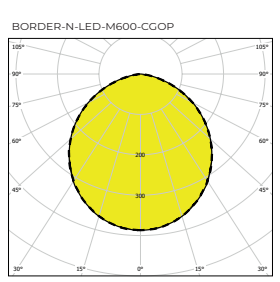
Order number	Name	Lighting fixture luminous flux (lm)	Power input (W)	Rated power output (lm/W)	Ta (°C)	Dimensions of lighting fixture A x B x C (mm)	Weight (kg)
R							
080652	BORDER-N-LED-2/21-M625/PB-R-MP-3300-4K, IP66	2347	17	138	-20°C/60°C	1245x310x87	12
080653	BORDER-N-LED-2/21-M625/PB-R-MP-4800-4K, IP66	3486	27	129	-20°C/60°C	1245x310x87	12
080654	BORDER-N-LED-2/21-M625/PB-R-MP-6300-4K, IP66	4590	37	124	-20°C/60°C	1245x310x87	12
080655	BORDER-N-LED-2/21-M625/PB-R-MP-7200-4K, IP66	5291	41	129	-20°C/60°C	1245x310x87	12
080656	BORDER-N-LED-2/21-M625/PB-R-MP-8700-4K, IP66	6315	49	129	-20°C/55°C	1245x310x87	12
080657	BORDER-N-LED-2/21-M625/PB-R-MP-12000-4K, IP66	8760	70	125	-20°C/40°C	1245x310x87	12

Order number	Name	Lighting fixture luminous flux (lm)	Power input (W)	Rated power output (lm/W)	Ta (°C)	Dimensions of lighting fixture A x B x C (mm)	Weight (kg)
R - FROST							
081402	BORDER-N-LED-2/21-M625/PB-FROST-R-MP-3300-4K, IP66	2347	17	138	-40°C/60°C	1245x310x87	12
081403	BORDER-N-LED-2/21-M625/PB-FROST-R-MP-4800-4K, IP66	3486	27	129	-40°C/60°C	1245x310x87	12
081404	BORDER-N-LED-2/21-M625/PB-FROST-R-MP-6300-4K, IP66	4590	37	124	-40°C/60°C	1245x310x87	12
081405	BORDER-N-LED-2/21-M625/PB-FROST-R-MP-7200-4K, IP66	5291	41	129	-40°C/60°C	1245x310x87	12
081406	BORDER-N-LED-2/21-M625/PB-FROST-R-MP-8700-4K, IP66	6315	49	129	-40°C/60°C	1245x310x87	12

Tolerance of luminous flux and power input of the lighting fixture +/- 10%

Order number	Name	Lighting fixture luminous flux (lm)	Power input (W)	Rated power output (lm/W)	Ta (°C)	Dimensions of lighting fixture A x B x C (mm)	Weight (kg)
SQ							
080628	BORDER-N-LED-2/21-M625/PB-SQ-CGOP-3300-4K, IP66	2459	17	145	-20°C/60°C	620x620x87	11
080629	BORDER-N-LED-2/21-M625/PB-SQ-CGOP-4800-4K, IP66	3639	27	135	-20°C/60°C	620x620x87	11
080630	BORDER-N-LED-2/21-M625/PB-SQ-CGOP-6300-4K, IP66	4791	37	129	-20°C/60°C	620x620x87	11
080631	BORDER-N-LED-2/21-M625/PB-SQ-CGOP-7200-4K, IP66	5550	41	135	-20°C/60°C	620x620x87	11
080632	BORDER-N-LED-2/21-M625/PB-SQ-CGOP-8700-4K, IP66	6656	49	136	-20°C/60°C	620x620x87	11
080633	BORDER-N-LED-2/21-M625/PB-SQ-CGOP-12000-4K, IP66	9144	70	131	-20°C/45°C	620x620x87	11

CGOP - clear tempered safety glass + opal plexiglass



Order number	Name	Lighting fixture luminous flux (lm)	Power input (W)	Rated power output (lm/W)	Ta (°C)	Dimensions of lighting fixture A x B x C (mm)	Weight (kg)
SQ - FROST							
081378	BORDER-N-LED-2/21-M625/PB-FROST-SQ-CGOP-3300-4K, IP66	2459	17	145	-40°C/55°C	620x620x87	11
081379	BORDER-N-LED-2/21-M625/PB-FROST-SQ-CGOP-4800-4K, IP66	3639	27	135	-40°C/55°C	620x620x87	11
081380	BORDER-N-LED-2/21-M625/PB-FROST-SQ-CGOP-6300-4K, IP66	4791	37	129	-40°C/55°C	620x620x87	11
081381	BORDER-N-LED-2/21-M625/PB-FROST-SQ-CGOP-7200-4K, IP66	5550	41	135	-40°C/60°C	620x620x87	11
081382	BORDER-N-LED-2/21-M625/PB-FROST-SQ-CGOP-8700-4K, IP66	6656	49	136	-40°C/60°C	620x620x87	11

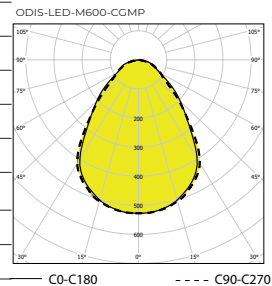
Order number	Name	Lighting fixture luminous flux (lm)	Power input (W)	Rated power output (lm/W)	Ta (°C)	Dimensions of lighting fixture A x B x C (mm)	Weight (kg)
R							
080658	BORDER-N-LED-2/21-M625/PB-R-CGOP-3300-4K, IP66	2331	17	137	-20°C/60°C	1245x310x87	12
080659	BORDER-N-LED-2/21-M625/PB-R-CGOP-4800-4K, IP66	3462	27	128	-20°C/60°C	1245x310x87	12
080660	BORDER-N-LED-2/21-M625/PB-R-CGOP-6300-4K, IP66	4558	37	123	-20°C/60°C	1245x310x87	12
080661	BORDER-N-LED-2/21-M625/PB-R-CGOP-7200-4K, IP66	5254	41	128	-20°C/60°C	1245x310x87	12
080662	BORDER-N-LED-2/21-M625/PB-R-CGOP-8700-4K, IP66	6272	49	128	-20°C/55°C	1245x310x87	12
080663	BORDER-N-LED-2/21-M625/PB-R-CGOP-12000-4K, IP66	8700	70	124	-20°C/40°C	1245x310x87	12

Order number	Name	Lighting fixture luminous flux (lm)	Power input (W)	Rated power output (lm/W)	Ta (°C)	Dimensions of lighting fixture A x B x C (mm)	Weight (kg)
R - FROST							
081408	BORDER-N-LED-2/21-M625/PB-FROST-R-CGOP-3300-4K, IP66	2331	17	137	-40°C/60°C	1245x310x87	12
081409	BORDER-N-LED-2/21-M625/PB-FROST-R-CGOP-4800-4K, IP66	3462	27	128	-40°C/60°C	1245x310x87	12
081410	BORDER-N-LED-2/21-M625/PB-FROST-R-CGOP-6300-4K, IP66	4558	37	123	-40°C/60°C	1245x310x87	12
081411	BORDER-N-LED-2/21-M625/PB-FROST-R-CGOP-7200-4K, IP66	5254	41	128	-40°C/60°C	1245x310x87	12
081412	BORDER-N-LED-2/21-M625/PB-FROST-R-CGOP-8700-4K, IP66	6272	49	128	-40°C/60°C	1245x310x87	12

Tolerance of luminous flux and power input of the lighting fixture +/- 10%

Order number	Name	Lighting fixture luminous flux (lm)	Power input (W)	Rated power output (lm/W)	Ta (°C)	Dimensions of lighting fixture A x B x C (mm)	Weight (kg)
SQ							
080634	BORDER-N-LED-2/21-M625/PB-SQ-CGMP-3300-4K, IP66	2440	17	144	-20°C/60°C	620x620x87	11
080635	BORDER-N-LED-2/21-M625/PB-SQ-CGMP-4800-4K, IP66	3610	27	134	-20°C/60°C	620x620x87	11
080636	BORDER-N-LED-2/21-M625/PB-SQ-CGMP-6300-4K, IP66	4753	37	128	-20°C/60°C	620x620x87	11
080637	BORDER-N-LED-2/21-M625/PB-SQ-CGMP-7200-4K, IP66	5506	41	134	-20°C/60°C	620x620x87	11
080638	BORDER-N-LED-2/21-M625/PB-SQ-CGMP-8700-4K, IP66	6604	49	135	-20°C/60°C	620x620x87	11
080639	BORDER-N-LED-2/21-M625/PB-SQ-CGMP-12000-4K, IP66	9072	70	130	-20°C/45°C	620x620x87	11
SQ - FROST							
081384	BORDER-N-LED-2/21-M625/PB-FROST-SQ-CGMP-3300-4K, IP66	2440	17	144	-40°C/55°C	620x620x87	11
081385	BORDER-N-LED-2/21-M625/PB-FROST-SQ-CGMP-4800-4K, IP66	3610	27	134	-40°C/55°C	620x620x87	11
081386	BORDER-N-LED-2/21-M625/PB-FROST-SQ-CGMP-6300-4K, IP66	4753	37	128	-40°C/55°C	620x620x87	11
081387	BORDER-N-LED-2/21-M625/PB-FROST-SQ-CGMP-7200-4K, IP66	5506	41	134	-40°C/60°C	620x620x87	11
081388	BORDER-N-LED-2/21-M625/PB-FROST-SQ-CGMP-8700-4K, IP66	6604	49	135	-40°C/60°C	620x620x87	11
R							
080664	BORDER-N-LED-2/21-M625/PB-R-CGMP-3300-4K, IP66	2360	17	139	-20°C/60°C	1245x310x87	12
080665	BORDER-N-LED-2/21-M625/PB-R-CGMP-4800-4K, IP66	3505	27	130	-20°C/60°C	1245x310x87	12
080666	BORDER-N-LED-2/21-M625/PB-R-CGMP-6300-4K, IP66	4615	37	125	-20°C/60°C	1245x310x87	12
080667	BORDER-N-LED-2/21-M625/PB-R-CGMP-7200-4K, IP66	5320	41	130	-20°C/60°C	1245x310x87	12
080668	BORDER-N-LED-2/21-M625/PB-R-CGMP-8700-4K, IP66	6350	49	130	-20°C/55°C	1245x310x87	12
080669	BORDER-N-LED-2/21-M625/PB-R-CGMP-12000-4K, IP66	8808	70	126	-20°C/45°C	1245x310x87	12
R - FROST							
081414	BORDER-N-LED-2/21-M625/PB-FROST-R-CGMP-3300-4K, IP66	2360	17	139	-40°C/60°C	1245x310x87	12
081415	BORDER-N-LED-2/21-M625/PB-FROST-R-CGMP-4800-4K, IP66	3505	27	130	-40°C/60°C	1245x310x87	12
081416	BORDER-N-LED-2/21-M625/PB-FROST-R-CGMP-6300-4K, IP66	4615	37	125	-40°C/60°C	1245x310x87	12
081417	BORDER-N-LED-2/21-M625/PB-FROST-R-CGMP-7200-4K, IP66	5320	41	130	-40°C/60°C	1245x310x87	12
081418	BORDER-N-LED-2/21-M625/PB-FROST-R-CGMP-8700-4K, IP66	6350	49	130	-40°C/60°C	1245x310x87	12

CGMP - clear tempered safety glass + microprismatic plexiglass



CCMP - clear tempered safety glass + microprismatic plexiglass

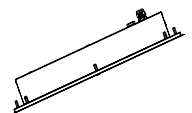
Tolerance of luminous flux and power input of the lighting fixture +/- 10%

Diffuser options

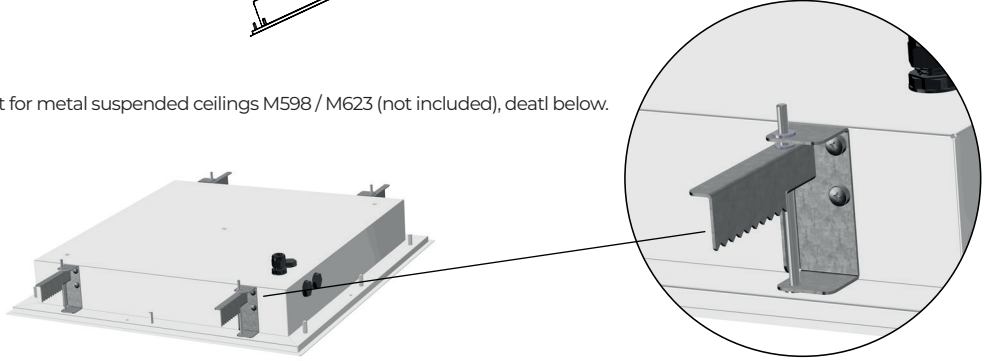
<p>GLM – matt tempered safety glass</p>	<p>MP – clear PC + microprismatic plexiglass CGMP - clear tempered safety glass + microprismatic plexiglass</p>	<p>OP – clear PC + opal plexiglass CGOP - clear tempered safety glass + opal plexiglass</p>
--	---	---

Mounting of luminaire

Mounting into false ceilings of M600 modules



Installation using nivelation set for metal suspended ceilings M598 / M623 (not included), deatl below.



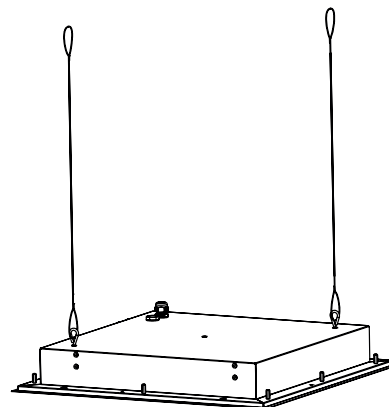
Lighting fixtures for areas with danger of explosion

Accessories on request

- 051232 Set of safety suspension BORDER
- 051233 Nivelation set for BORDER-N-LED

On request

- MULTI** – maintained emergency lighting is always on (standard luminaire with emergency lighting module) (1h, 3h)
- DIM** – dimmable electronic ballast (DALI)
- 3000/4000/5000/6500 K** – colour temperatures
- Frame for surface mounting
- CB** – central battery system
- NEREZ** - body from stainless steel sheet AISI 304 nebo AISI 316 (at stainless steel design is ambient temperature lower about 5-10°C)



Set of safety suspension BORDER

Code of luminaire

BORDER-N-LED-2/21-M625/PB-SQ-GLM-3300-IP66

name of luminaire	light source	ATEX ZONE	type of ceiling	shape of luminaire R/SQ	type of diffuser	luminous flux of LED source	protection of luminaire
-------------------	--------------	-----------	-----------------	-------------------------	------------------	-----------------------------	-------------------------

Use of lighting fixtures in areas with danger of explosion	Marking of external influences	Area classification	
		Marking	Directive
Danger of explosion of flammable dust	BE3N1	ZONE 21, 22	ČSN EN 60079-14, ČSN EN 60079-10-2
Danger of explosion of flammable gases and vapours	BE3N2	ZONE 2	ČSN EN 60079-14, ČSN EN 60079-10-1