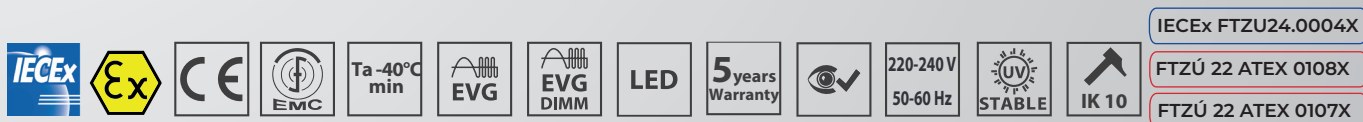
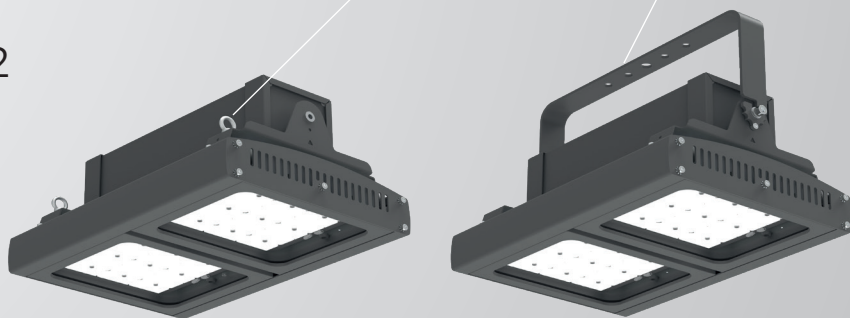
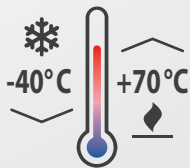


Standard equipment - 4 eye bolts for suspended installation

Adjustable bracket on request only

BERGER-N-LED

IP66 /  ZONE 2/21, 22



Application: Robust explosion-proof **HIGH-BAY LED luminaire** designed for lighting of hazardous areas **ATEX ZONE 2/21, 22**, is certified by FTZU Ostrava-Radvanice (certificate type FTZÚ 22 ATEX 0108X and FTZÚ 22 ATEX 0107X), the luminaire is also certified by IECEx (certifikát IECEx FTZU 24.0004X). Housing made of extremely durable aluminium (RAL7043). Cover made of clear tempered safety glass. Optic system inside guarantees various lumen curves for different applications. High quality electronic components guarantee **high efficiency up to 179 lm/W and extremely long lifetime 100 000 h even at high temperatures. Modular system** allows to choose the luminous output according to project needs. **Dust and water proof with a rating IP66.** It can be operated at temperatures **from -40°C to +70°C.** Excellent heat dissipation due to additional cooling of each luminaire modul. For suspended or surface mounting. Adjustable bracket allows a wide variety of applications.

Ballast: EP – electronic - 220-240 V, 50/60 Hz

Light source: LED, 4000 K, CRI +80, MacAdam3

Housing: Aluminium profile RAL 7043

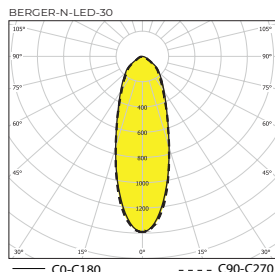
Diffuser: Clear tempered safety glass

Fastening: Suspended by means of 4 eye bolts M5 (standard equipment) or surface mounted by means of adjustable bracket. **Adjustable bracket on request only.**

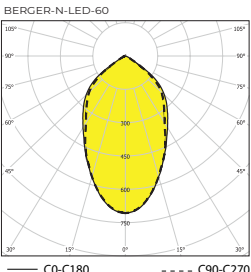
Connection: By means of 2 m cable. FROST/T40/T50/T60 versions are as standard equipped with plastic cable gland, T70 version is standardly equipped with metal cable gland

Standard equipment: 4x suspension eyes with bolt M5 - stainless steel AISI316, 2 m cable (3x1,5 mm²)

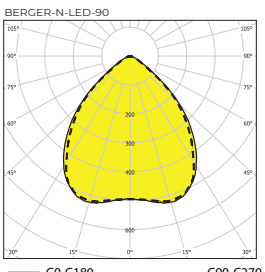
30 – optics with radiant angle 30°



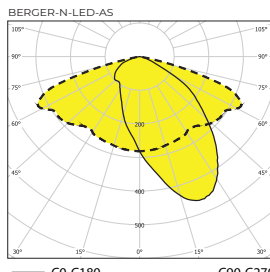
60 – optics with radiant angle 60°



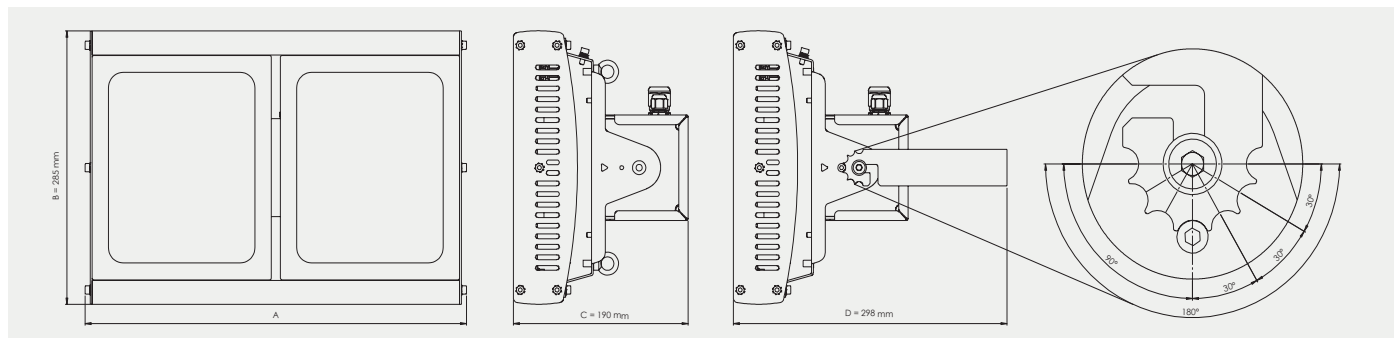
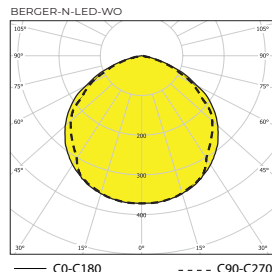
90 – optics with radiant angle 90°



AS – asymmetric optics 90°



WO – without optics



ADVANTAGES:

- Extreme high led lifetime L70B50 Ta70 - 100 000 h even at high temperatures
- Made in Europe - Czech Republic origin
- ATEX certification ZONE 2/21, 22
- Robust housing
- High efficiency up to 179 lm/W
- Luminous flux versions from 8 000 up to 43 000 lm
- Option of adjustable installation
- Variability of declared ambient temperatures

BERGER-N-LED ZONE 2/21 IECEx FTZU 24.0004X

Ex nR IIC T6...T5 Gc
Ex tb op is IIIC T85° Db

BERGER-N-LED ZONE 2/21 FTZÚ 22 ATEX 0107X

⊕ II 3G Ex nR IIC T6...T5 Gc
⊕ II 2D Ex tb op is IIIC T85°C Db

BERGER-N-LED ZONE 2/22 FTZÚ 22 ATEX 0108X

⊕ II 3G Ex nR IIC T6...T5 Gc
⊕ II 3D Ex tc IIIC T85°C Dc

TYPICAL APPLICATION:



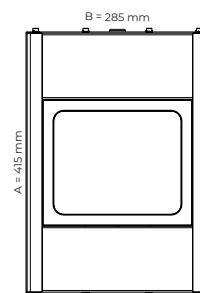
Lighting fixtures for areas with danger of explosion

Substitute*

Order number	Name	Lighting fixture luminous flux (lm)	Power input (W)	Rated power output (lm/W)	Ta (°C)	Dimensions of lighting fixture A x B x C (mm)	T-class	Nr. LED modules	Weight (Kg)
Ta 50°C									
080848	BERGER-N-LED-2,21-T50-30-12200-4K-1M, IP66	10031	69	145	-20°C/50°C	415x285x190	T6	1	8,5
080800	BERGER-N-LED-2,21-T50-60-12200-4K-1M, IP66	10767	69	156	-20°C/50°C	415x285x190	T6	1	8,5
080801	BERGER-N-LED-2,21-T50-90-12200-4K-1M, IP66	10922	69	158	-20°C/50°C	415x285x190	T6	1	8,5
080849	BERGER-N-LED-2,21-T50-AS-12200-4K-1M, IP66	9700	69	141	-20°C/50°C	415x285x190	T6	1	8,5
080802	BERGER-N-LED-2,21-T50-WO-12200-4K-1M, IP66	10566	69	153	-20°C/50°C	415x285x190	T6	1	8,5
Ta 60°C									
080856	BERGER-N-LED-2,21-T60-30-9900-4K-1M, IP66	8220	54	152	-20°C/60°C	415x285x190	T5	1	8,5
080812	BERGER-N-LED-2,21-T60-60-9900-4K-1M, IP66	8799	54	163	-20°C/60°C	415x285x190	T5	1	8,5
080813	BERGER-N-LED-2,21-T60-90-9900-4K-1M, IP66	8933	54	165	-20°C/60°C	415x285x190	T5	1	8,5
080857	BERGER-N-LED-2,21-T60-AS-9900-4K-1M, IP66	7948	54	147	-20°C/60°C	415x285x190	T5	1	8,5
080814	BERGER-N-LED-2,21-T60-WO-9900-4K-1M, IP66	8622	54	160	-20°C/60°C	415x285x190	T5	1	8,5
Ta 70°C									
080864	BERGER-N-LED-2,21-T70-30-6350-4K-1M, IP66	5298	33	161	-20°C/70°C	415x285x190	T5	1	8,5
080824	BERGER-N-LED-2,21-T70-60-6350-4K-1M, IP66	5666	33	172	-20°C/70°C	415x285x190	T5	1	8,5
080825	BERGER-N-LED-2,21-T70-90-6350-4K-1M, IP66	5764	33	175	-20°C/70°C	415x285x190	T5	1	8,5
080865	BERGER-N-LED-2,21-T70-AS-6350-4K-1M, IP66	5130	33	155	-20°C/70°C	415x285x190	T5	1	8,5
080826	BERGER-N-LED-2,21-T70-WO-6350-4K-1M, IP66	5580	33	169	-20°C/70°C	415x285x190	T5	1	8,5
Ta -40°C									
080872	BERGER-N-LED-2,21-FROST-30-9900-4K-1M, IP66	8220	54	152	-40°C/50°C	415x285x190	T6	1	8,5
080836	BERGER-N-LED-2,21-FROST-60-9900-4K-1M, IP66	8799	54	163	-40°C/50°C	415x285x190	T6	1	8,5
080837	BERGER-N-LED-2,21-FROST-90-9900-4K-1M, IP66	8933	54	165	-40°C/50°C	415x285x190	T6	1	8,5
080873	BERGER-N-LED-2,21-FROST-AS-9900-4K-1M, IP66	7948	54	147	-40°C/50°C	415x285x190	T6	1	8,5
080838	BERGER-N-LED-2,21-FROST-WO-9900-4K-1M, IP66	8622	54	160	-40°C/50°C	415x285x190	T6	1	8,5

HME 250

1M - 1 module



Substitute*

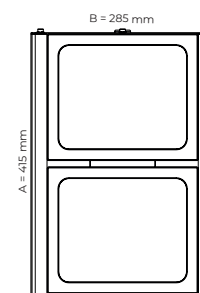
Order number	Name	Lighting fixture luminous flux (lm)	Power input (W)	Rated power output (lm/W)	Ta (°C)	Dimensions of lighting fixture A x B x C (mm)	T-class	Nr. LED modules	Weight (Kg)
Ta 50°C									
080850	BERGER-N-LED-2,21-T50-30-24400-4K-2M, IP66	20061	136	148	-20°C/50°C	415x285x190	T6	2	11
080803	BERGER-N-LED-2,21-T50-60-24400-4K-2M, IP66	21534	136	158	-20°C/50°C	415x285x190	T6	2	11
080804	BERGER-N-LED-2,21-T50-90-24400-4K-2M, IP66	21844	136	161	-20°C/50°C	415x285x190	T6	2	11
080851	BERGER-N-LED-2,21-T50-AS-24400-4K-2M, IP66	19399	136	143	-20°C/50°C	415x285x190	T6	2	11
080805	BERGER-N-LED-2,21-T50-WO-24400-4K-2M, IP66	21132	136	155	-20°C/50°C	415x285x190	T6	2	11
Ta 60°C									
080858	BERGER-N-LED-2,21-T60-30-19800-4K-2M, IP66	16439	107	154	-20°C/60°C	415x285x190	T5	2	11
080815	BERGER-N-LED-2,21-T60-60-19800-4K-2M, IP66	17597	107	164	-20°C/60°C	415x285x190	T5	2	11
080816	BERGER-N-LED-2,21-T60-90-19800-4K-2M, IP66	17866	107	167	-20°C/60°C	415x285x190	T5	2	11
080859	BERGER-N-LED-2,21-T60-AS-19800-4K-2M, IP66	15895	107	149	-20°C/60°C	415x285x190	T5	2	11
080817	BERGER-N-LED-2,21-T60-WO-19800-4K-2M, IP66	17243	107	161	-20°C/60°C	415x285x190	T5	2	11
Ta 70°C									
080866	BERGER-N-LED-2,21-T70-30-12700-4K-2M, IP66	10595	67	158	-20°C/70°C	415x285x190	T5	2	11
080827	BERGER-N-LED-2,21-T70-60-12700-4K-2M, IP66	11331	67	169	-20°C/70°C	415x285x190	T5	2	11
080828	BERGER-N-LED-2,21-T70-90-12700-4K-2M, IP66	11528	67	172	-20°C/70°C	415x285x190	T5	2	11
080867	BERGER-N-LED-2,21-T70-AS-12700-4K-2M, IP66	10259	67	153	-20°C/70°C	415x285x190	T5	2	11
080829	BERGER-N-LED-2,21-T70-WO-12700-4K-2M, IP66	11160	67	167	-20°C/70°C	415x285x190	T5	2	11
Ta -40°C									
080874	BERGER-N-LED-2,21-FROST-30-19800-4K-2M, IP66	16439	107	154	-40°C/50°C	415x285x190	T6	2	11
080839	BERGER-N-LED-2,21-FROST-60-19800-4K-2M, IP66	17597	107	164	-40°C/50°C	415x285x190	T6	2	11
080840	BERGER-N-LED-2,21-FROST-90-19800-4K-2M, IP66	17866	107	167	-40°C/50°C	415x285x190	T6	2	11
080875	BERGER-N-LED-2,21-FROST-AS-19800-4K-2M, IP66	15895	107	149	-40°C/50°C	415x285x190	T6	2	11
080841	BERGER-N-LED-2,21-FROST-WO-19800-4K-2M, IP66	17243	107	161	-40°C/50°C	415x285x190	T6	2	11

HIT 250, HME 400

HIT 250, HME 400

HME 250

2M - 2 modules

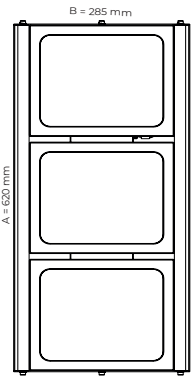


Tolerance of luminous flux and power input of the lighting fixture +/- 10%

* The given information is for rough orientation only. In each individual case a lighting calculation is necessary.

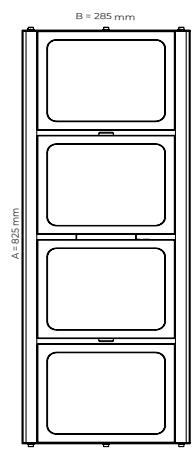
Substitute*	Order number	Name	Lighting fixture luminous flux (lm)	Power input (W)	Rated power output (lm/W)	Ta (°C)	Dimensions of lighting fixture A x B x C (mm)	T-class	Nr. LED modules	Weight (Kg)	
HIT 400	Ta 50°C										
	080852	BERGER-N-LED-2,21-T50-30-36600-4K-3M, IP66	29812	204	146	-20°C/50°C	620x285x190	T6	3	14	
	080806	BERGER-N-LED-2,21-T50-60-36600-4K-3M, IP66	32252	204	158	-20°C/50°C	620x285x190	T6	3	14	
	080807	BERGER-N-LED-2,21-T50-90-36600-4K-3M, IP66	32726	204	160	-20°C/50°C	620x285x190	T6	3	14	
	080853	BERGER-N-LED-2,21-T50-AS-36600-4K-3M, IP66	29159	204	143	-20°C/50°C	620x285x190	T6	3	14	
080808	BERGER-N-LED-2,21-T50-WO-36600-4K-3M, IP66	31659	204	155	-20°C/50°C	620x285x190	T6	3	14		
HIT 250, HME 400	Ta 60°C										
	080860	BERGER-N-LED-2,21-T60-30-26200-4K-3M, IP66	21603	144	150	-20°C/60°C	620x285x190	T5	3	14	
	080818	BERGER-N-LED-2,21-T60-60-26200-4K-3M, IP66	23408	144	163	-20°C/60°C	620x285x190	T5	3	14	
	080819	BERGER-N-LED-2,21-T60-90-26200-4K-3M, IP66	23622	144	164	-20°C/60°C	620x285x190	T5	3	14	
	080861	BERGER-N-LED-2,21-T60-AS-26200-4K-3M, IP66	21060	144	146	-20°C/60°C	620x285x190	T5	3	14	
080820	BERGER-N-LED-2,21-T60-WO-26200-4K-3M, IP66	22899	144	159	-20°C/60°C	620x285x190	T5	3	14		
	Ta 70°C										
	080868	BERGER-N-LED-2,21-T70-30-17800-4K-3M, IP66	14748	94	157	-20°C/70°	620x285x190	T5	3	14	
	080830	BERGER-N-LED-2,21-T70-60-17800-4K-3M, IP66	16002	94	170	-20°C/70°	620x285x190	T5	3	14	
	080831	BERGER-N-LED-2,21-T70-90-17800-4K-3M, IP66	16130	94	172	-20°C/70°	620x285x190	T5	3	14	
	080869	BERGER-N-LED-2,21-T70-AS-17800-4K-3M, IP66	14346	94	153	-20°C/70°	620x285x190	T5	3	14	
080832	BERGER-N-LED-2,21-T70-WO-17800-4K-3M, IP66	15641	94	166	-20°C/70°	620x285x190	T5	3	14		
	Ta -40°C										
	080876	BERGER-N-LED-2,21-FROST-30-26200-4K-3M, IP66	21603	144	150	-40°C/50°C	620x285x190	T6	3	14	
	080842	BERGER-N-LED-2,21-FROST-60-26200-4K-3M, IP66	23408	144	163	-40°C/50°C	620x285x190	T6	3	14	
	080843	BERGER-N-LED-2,21-FROST-90-26200-4K-3M, IP66	23622	144	164	-40°C/50°C	620x285x190	T6	3	14	
	080877	BERGER-N-LED-2,21-FROST-AS-26200-4K-3M, IP66	21060	144	146	-40°C/50°C	620x285x190	T6	3	14	
080844	BERGER-N-LED-2,21-FROST-WO-26200-4K-3M, IP66	22899	144	159	-40°C/50°C	620x285x190	T6	3	14		

3M - 3 modules



Substitute*	Order number	Name	Lighting fixture luminous flux (lm)	Power input (W)	Rated power output (lm/W)	Ta (°C)	Dimensions of lighting fixture A x B x C (mm)	T-class	Nr. LED modules	Weight (Kg)	
HIT 400	Ta 40°C										
	080854	BERGER-N-LED-2,21-T40-30-48800-4K-4M, IP66	39749	287	138	-20°C/40°C	825x285x190	T6	4	17	
	080809	BERGER-N-LED-2,21-T40-60-48800-4K-4M, IP66	43002	287	150	-20°C/40°C	825x285x190	T6	4	17	
	080810	BERGER-N-LED-2,21-T40-90-48800-4K-4M, IP66	43634	287	152	-20°C/40°C	825x285x190	T6	4	17	
	080855	BERGER-N-LED-2,21-T40-AS-48800-4K-4M, IP66	38879	287	135	-20°C/40°C	825x285x190	T6	4	17	
080811	BERGER-N-LED-2,21-T40-WO-48800-4K-4M, IP66	42212	287	147	-20°C/40°C	825x285x190	T6	4	17		
	Ta 60°C										
	080862	BERGER-N-LED-2,21-T60-30-30200-4K-4M, IP66	24897	163	153	-20°C/60°C	825x285x190	T5	4	17	
	080821	BERGER-N-LED-2,21-T60-60-30200-4K-4M, IP66	26977	163	166	-20°C/60°C	825x285x190	T5	4	17	
	080822	BERGER-N-LED-2,21-T60-90-30200-4K-4M, IP66	27224	163	167	-20°C/60°C	825x285x190	T5	4	17	
	080863	BERGER-N-LED-2,21-T60-AS-30200-4K-4M, IP66	24271	163	149	-20°C/60°C	825x285x190	T5	4	17	
080823	BERGER-N-LED-2,21-T60-WO-30200-4K-4M, IP66	26391	163	162	-20°C/60°C	825x285x190	T5	4	17		
HIT 250, HME 400	Ta 70°C										
	080870	BERGER-N-LED-2,21-T70-30-24150-4K-4M, IP66	20012	122	164	-20°C/70°C	825x285x190	T5	4	17	
	080833	BERGER-N-LED-2,21-T70-60-24150-4K-4M, IP66	21714	122	178	-20°C/70°C	825x285x190	T5	4	17	
	080834	BERGER-N-LED-2,21-T70-90-24150-4K-4M, IP66	21888	122	179	-20°C/70°C	825x285x190	T5	4	17	
	080871	BERGER-N-LED-2,21-T70-AS-24150-4K-4M, IP66	19466	122	160	-20°C/70°C	825x285x190	T5	4	17	
080835	BERGER-N-LED-2,21-T70-WO-24150-4K-4M, IP66	21224	122	174	-20°C/70°C	825x285x190	T5	4	17		
	Ta -40°C										
	080878	BERGER-N-LED-2,21-FROST-30-30200-4K-4M, IP66	24897	163	153	-40°C/50°C	825x285x190	T6	4	17	
	080845	BERGER-N-LED-2,21-FROST-60-30200-4K-4M, IP66	26977	163	166	-40°C/50°C	825x285x190	T6	4	17	
	080846	BERGER-N-LED-2,21-FROST-90-30200-4K-4M, IP66	27224	163	167	-40°C/50°C	825x285x190	T6	4	17	
	080879	BERGER-N-LED-2,21-FROST-AS-30200-4K-4M, IP66	24271	163	149	-40°C/50°C	825x285x190	T6	4	17	
080847	BERGER-N-LED-2,21-FROST-WO-30200-4K-4M, IP66	26391	163	162	-40°C/50°C	825x285x190	T6	4	17		

4M - 4 modules

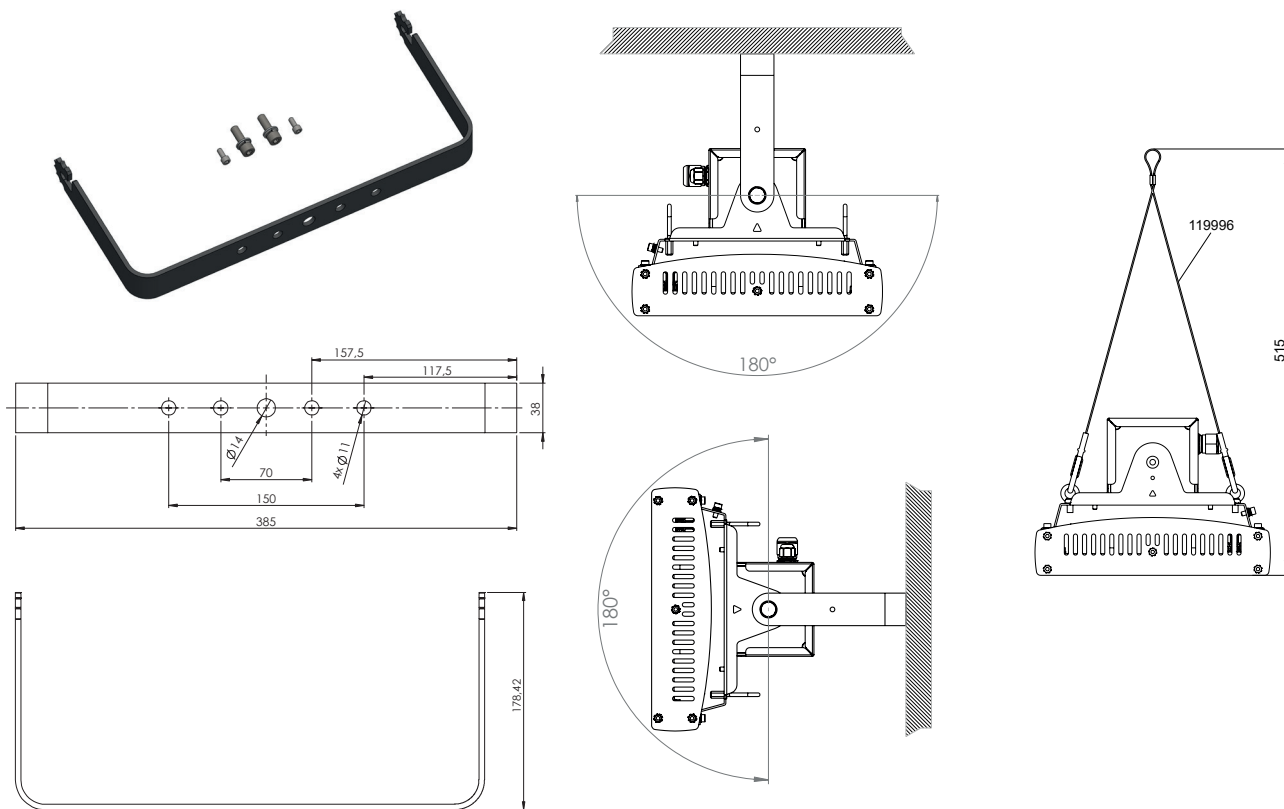


Tolerance of luminous flux and power input of the lighting fixture +/- 10%
 * The given information is for rough orientation only. In each individual case a lighting calculation is necessary.

Accessories on request

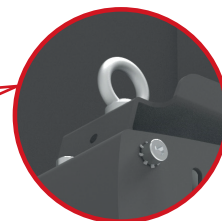
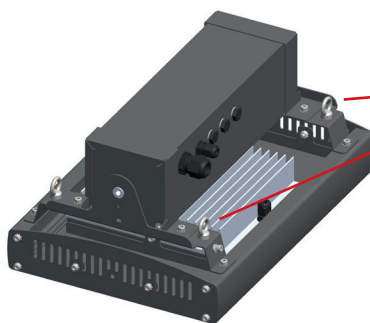
051229 - Adjustable bracket BERGER (painted steel, colour grey RAL 7043)

051235 - Certified galvanized hanger cable BERGER 0,3 m - Y (set 2pc), 2-point-mounting-indoor areas only



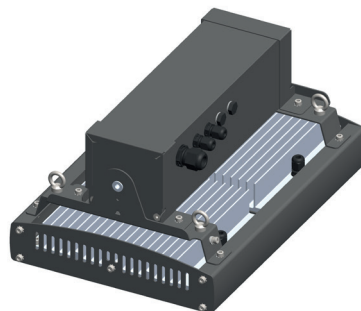
Light fixture variants according to the number of modules

1M - 1 module

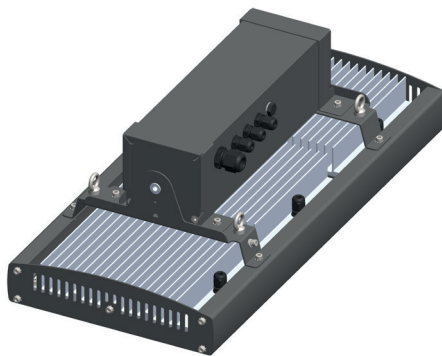


Standard equipment
suspension eyes with bolt
M5 - stainless steel AISI316

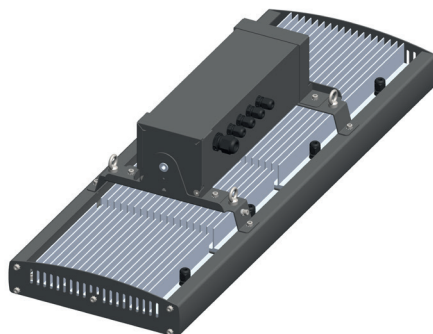
2M - 2 modules



3M - 3 modules



4M - 4 modules



On request

DIM – dimmable electronic ballast (DALI)

2700/3000/4000/5000/5700/6500 K - colour temperature

Use of lighting fixtures in areas with danger of explosion

Marking of external influences

Area classification

Danger of explosion of flammable dust

BE3N1

Marking

ZONE 21, 22

Directive

ČSN EN 60079-14, ČSN EN 60079-10-2

Danger of explosion of flammable gases and vapours

BE3N2

ZONE 2

ČSN EN 60079-14, ČSN EN 60079-10-1