



TECHNICAL DATA

Anodising	10 colours
Diffuser	frosted (PMMA)
Application	surrounding office buildings, parks, pedestrians
Ingress protection	IP 65 for the optical part and the driver
Material	anodised aluminium alloy
Expected useful lifetime	L90B10 - 100 000 h
CRI	>70
Input voltage frequency	50/60Hz
Power factor	≥0.95
Number of LED	16 (KARIN DECOR 2400 LED) 24 (KARIN DECOR 3600 LED, KARIN DECOR 4800 LED)
Control system	LED lighting column has the possibility to connect to an external control system via DALI interface (optionally via analog signal 1-10V).

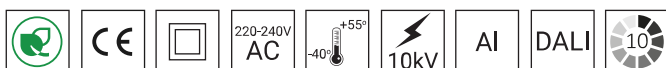
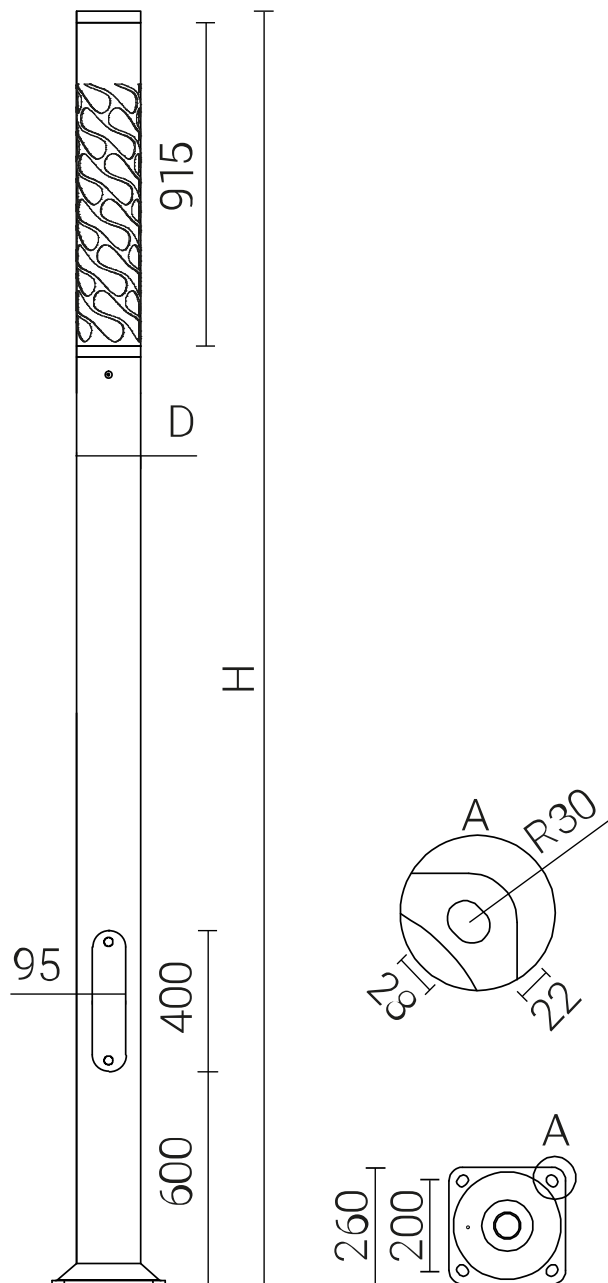


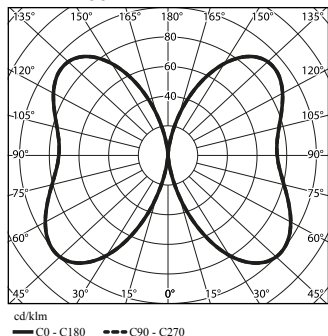
TABLE OF TYPES

Code	Symbol	Height of the column [H]	LED power	Luminaire power consumption	LED forward current	Colour temperature (CCT)	Luminaire luminous flux ¹	Luminous efficacy ¹	Concrete footing / reinforcement [D] basket type	Diameter	Net weight
45241/1/C...	KARIN DECOR 2400 LED	2 400 mm	32 W	38 W	700 mA	2700 K	2100 lm	55 lm/W	B-50 / Z-50	150 mm	13 kg
45241/3/C...	KARIN DECOR 2400 LED	2 400 mm	32 W	38 W	700 mA	3500 K	2200 lm	58 lm/W	B-50 / Z-50	150 mm	13 kg
45241/4/C...	KARIN DECOR 2400 LED	2 400 mm	32 W	38 W	700 mA	4000 K	2600 lm	68 lm/W	B-50 / Z-50	150 mm	13 kg
45241/6/C...	KARIN DECOR 2400 LED	2 400 mm	32 W	38 W	700 mA	5000 K	2600 lm	68 lm/W	B-50 / Z-50	150 mm	13 kg
45251/1/C...	KARIN DECOR 3600 LED	3 600 mm	48 W	55 W	700 mA	2700 K	3100 lm	56 lm/W	B-60 / Z-60	180 mm	27 kg
45251/3/C...	KARIN DECOR 3600 LED	3 600 mm	48 W	55 W	700 mA	3500 K	3250 lm	59 lm/W	B-60 / Z-60	180 mm	27 kg
45251/4/C...	KARIN DECOR 3600 LED	3 600 mm	48 W	55 W	700 mA	4000 K	3800 lm	69 lm/W	B-60 / Z-60	180 mm	27 kg
45251/6/C...	KARIN DECOR 3600 LED	3 600 mm	48 W	55 W	700 mA	5000 K	3800 lm	69 lm/W	B-60 / Z-60	180 mm	27 kg
45261/1/C...	KARIN DECOR 4800 LED	4 800 mm	48 W	55 W	700 mA	2700 K	3100 lm	56 lm/W	B-60 / Z-60	180 mm	33 kg
45261/3/C...	KARIN DECOR 4800 LED	4 800 mm	48 W	55 W	700 mA	3500 K	3250 lm	59 lm/W	B-60 / Z-60	180 mm	33 kg
45261/4/C...	KARIN DECOR 4800 LED	4 800 mm	48 W	55 W	700 mA	4000 K	3800 lm	69 lm/W	B-60 / Z-60	180 mm	33 kg
45261/6/C...	KARIN DECOR 4800 LED	4 800 mm	48 W	55 W	700 mA	5000 K	3800 lm	69 lm/W	B-60 / Z-60	180 mm	33 kg

1) tolerance +/- 5% due to LEDs accuracy



KARIN DECOR LED



Luminaire in standard has following functions of intelligent power supply:

- Connection to outside control system by DALI interface (operation of analog signal 1-10V as an option),
- Possibility of programming multistage dimming of luminaire, up to 5 intervals in the range of from 10 to 100% of nominal power,
- Temperature protection of LED module (from overheating) in case of unintentional luminaire operation during the,
- Regulation of power / luminous flux – the option of setting another value than the catalogue in the range of 30-100% of nominal one,

Updated at: 27-07-2023

KARIN DECOR LED 2400-4800



Overcurrent switches MCB type B or C

Fuse – type gG and GL

Lighting columns	Typ	2A	4A	6A	10A	16A	20A	25A
KARIN DECOR LED 2400-4800	B	1	2	4	6	10	12	15
	C	1	4	6	10	17	20	26

Lighting columns	2A	4A	6A	10A	16A	20A	25A
KARIN DECOR LED 2400-4800	0	4	8	11	22	31	44