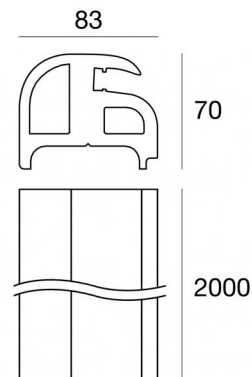


D-Wave



Lines | Modular
77407



Technical data

Type	Surface
Installation position	Wall lights - Floor
Installation environment	Outdoor
IK	IK10
Glow wire test	550°
Direct mounting on normally flammable surfaces	Yes
CE	Yes
Dimmable article	No
Directional	No
Tilting	No
Walk-over	Yes
Drive-over	No
Cable included	No
Resin potting	No
Net weight	5.3 Kg
Modularity	Modular

Finishing casing

Material	PVC lead free
Colour	brown



Cable junction - D-Wave profile junction accessory
Type linear.
Material:AISI 304 steel, colour:brown, processing:Powder coating.

Code
77410



Cable junction - Curve for internal 90° corner
Type flexible curve.
Material:AISI 304 steel, colour:brown, processing:Powder coating.

Code
77412



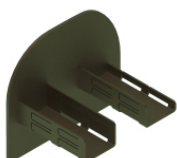
Cable junction - Curve for external 90° corner
Type flexible curve.
Material:AISI 304 steel, colour:brown, processing:Powder coating.

Code
77469



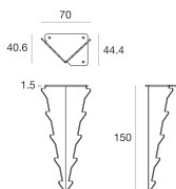
Closing cap - Right closing cap for D-Wave profile
Material:AISI 304 steel, colour:brown, processing:Powder coating.

Code
77408



Closing cap - Left closing cap for D-Wave profile
Material:AISI 304 steel, colour:brown, processing:Powder coating.

Code
77409



Pegs
installation position: land.Cover material: aisi 304 steel

Code
77411



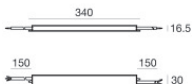
Bracket
installation position: floor L=80mm, D=45mm.
Material:Stainless steel --, colour:steel.

Finish

Inox

Code

Included brackets



Power supply - Ultrafine constant voltage power supply 24V - 100W
Material:Aluminium, colour:grey, processing:Coating.

Code
C-E400001



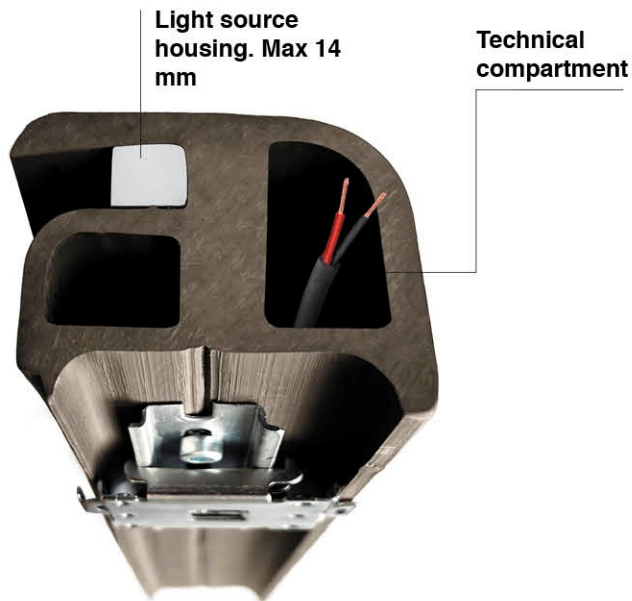
COMPLETE D-WAVE WITH THE LIGHT UNIT OF YOUR CHOICE

Complete D-Wave with the light unit of your choice

D-Wave is an all-in-one extrusion that can contain in the front channel, a light source chosen from:

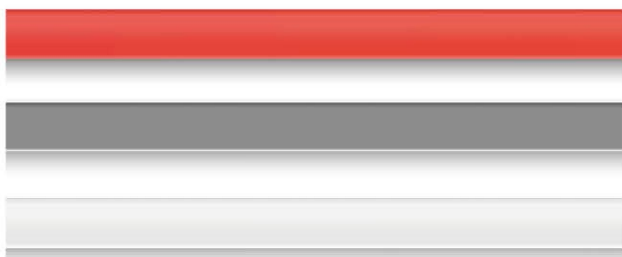
- Rubber 3D
- Rubber 3D Optic
- Rubber 2D
- Ribbon_PU C Plus
- Silicon_C

ATTENTION: With the use of the *Silicon_C* and *PU_C Plus* light sources the product is no longer walkable.



Complete D-Wave with the Rubber light source

Discover
the Rubber family



Rubber 2D
Rubber 3D



Rubber 3D Optics



Rubber 3D Pixel

Complete D-Wave with the PU_C plus, Silicon_C light source

Discover
the PU_C plus and Silicon_C family



PU_C plus (12mm)



Silicon_C (12mm)



MAXIMUM DESIGN FLEXIBILITY, EVEN IMPOSSIBLE ONES

PATENT
PENDING

With D-WAVE we have created the first flexible two-axis lighting system. We have given the impossible a chance. D-WAVE is the new frontier in linear outdoor marker lights. Thanks to the extreme flexibility of the fully recyclable composite material, it can be adapted to any perimeter, even the most complex and winding ones. The internal pass-through compartments, along the entire length, make it possible to insert wiring, for example, and keep it protected. At the front, various flexible linear light sources can be inserted, such as our Rubber 2D, Rubber 3D, PU_C Plus and Silicone_C. Rubber 3D light sources allow you to take full advantage of the double curvature.



Two-axis flexibility

D-WAVE is a system with the highest flexibility and adaptability available on the market. Its cross-section, studied in every detail, allows both zenithal and lateral bending, which allows D-WAVE to overcome any obstacle or embrace any path. The extruded profile, studied in every detail, can have an endless range of customisations thanks to its extreme ductility. The illumination of contemporary architecture, even the most complex and articulated, will always find its correct solution.



Zenithal flexibility



Lateral flexibility (can only be used with Rubber 3D)

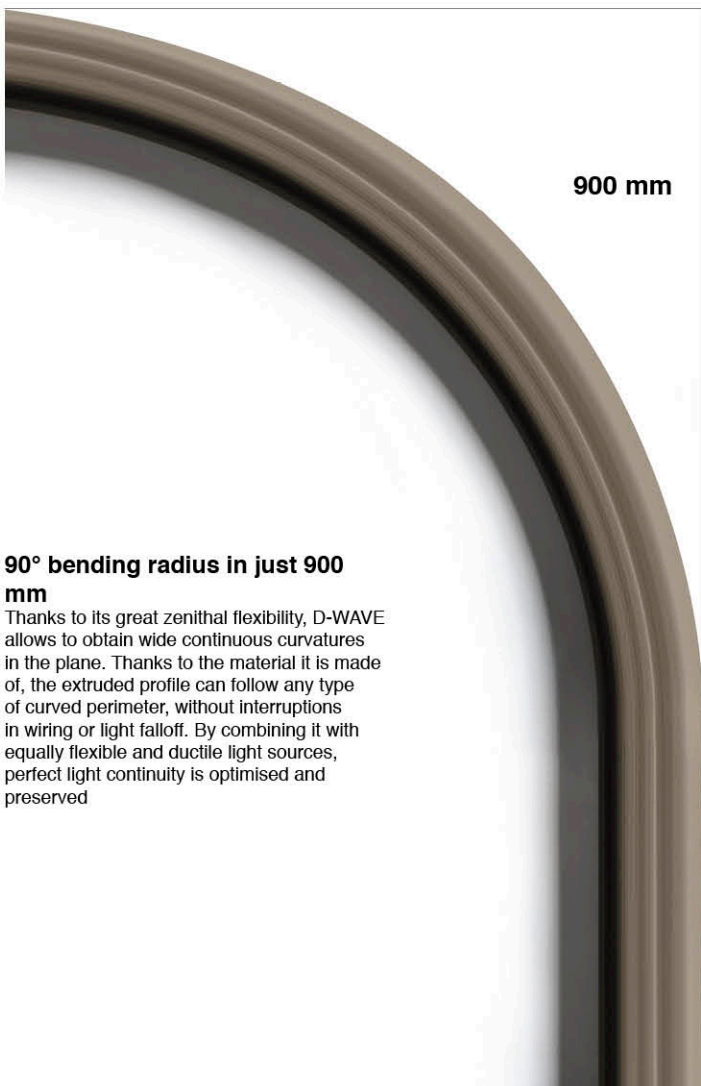


BORN FOR THE FUTURE: 100% RECYCLABLE 100% CUSTOMISABLE

D-WAVE is a profile designed in every detail to meet all of the designer's needs. The material is 100% recyclable and the base is designed to accommodate the fastening systems provided: bracket and stake. Two anchoring methods that facilitate installation by adapting to the perimeter to be followed. Engraved on the base is the Recycle 3 logo, which allows the type of material to be recognised for proper recycling.



900 mm



900 mm

90° bending radius in just 900 mm

Thanks to its great zenithal flexibility, D-WAVE allows to obtain wide continuous curvatures in the plane. Thanks to the material it is made of, the extruded profile can follow any type of curved perimeter, without interruptions in wiring or light falloff. By combining it with equally flexible and ductile light sources, perfect light continuity is optimised and preserved.



90° angle connection cuts

D-WAVE is available in 2-metre long modules. D-WAVE can be cut anywhere, even at 90° angles, thanks to the special angular joint, and it can be connected in perfect aesthetic and functional continuity. This solution offers two major advantages: work can be carried out with millimetric precision, without losing efficiency, and the brightness can be maintained constant along the entire perimeter.



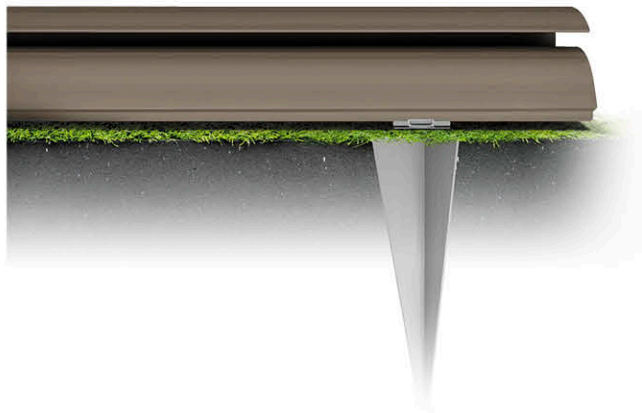
Floor mounting

Thanks to the quick-release steel bracket, D-WAVE can be mounted on any floor. Positioned at a 50 cm pitch, the bracket ensures firm and continuous anchoring over the entire length of the luminaire.



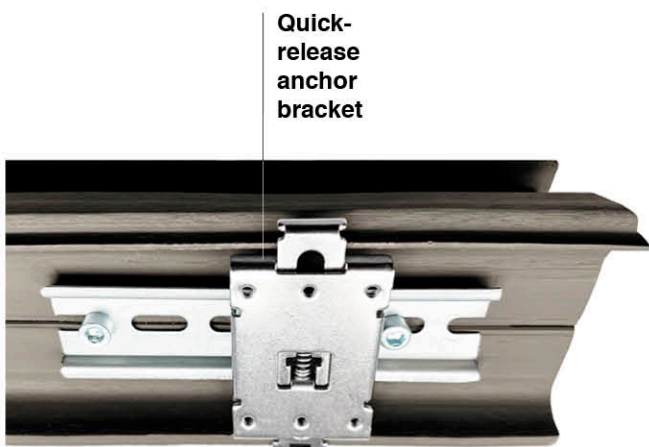
Ground mounting

For this type of installation, a small steel stake has been provided, which is also adjustable and can be placed at a certain pitch, ensuring continuous and safe anchoring over the entire length of the perimeter.



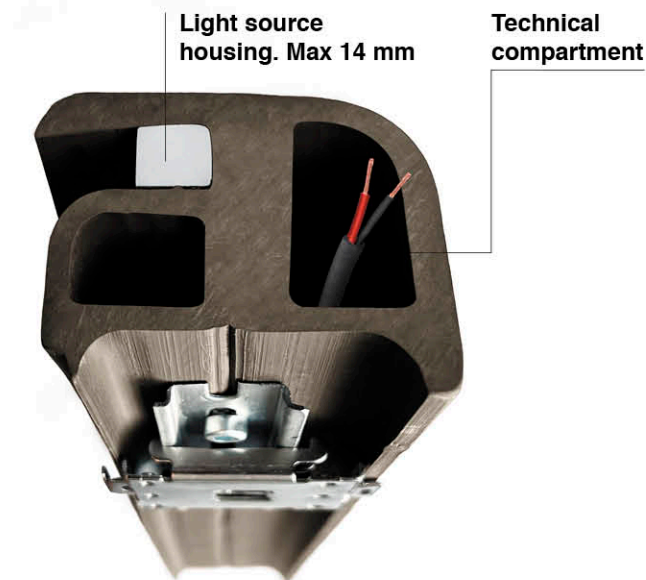
Quick-release bracket

We have designed a quick-release bracket system. This is ideal in case of maintenance, replacement or relocation of the luminaire. Thanks to the rear lever, the bracket is quickly released from the profile, leaving it free, thus facilitating the planned operations.



All-in-one

D-WAVE is an all-in-one extruded profile that contains the light source in the front channel: Rubber 3D, Rubber 2D, Ribbon_PU C Plus or Silicon_C, all the wiring required for your project is protected in the rear channel. The duct passing under the light source is used to support the lighting profile inserted. All the technological components that make up the D-WAVE system are housed in a single profile.



Connecting element

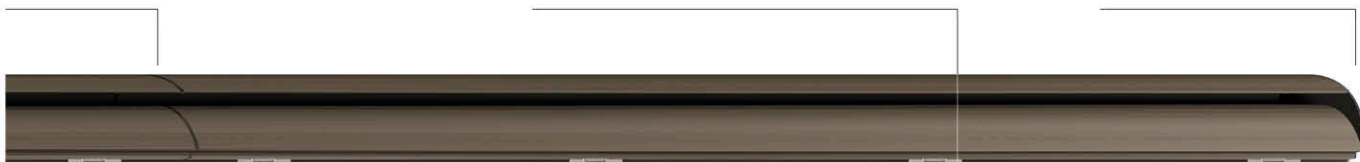
We have designed an invisible connecting element that contributes to the maximum aesthetic and functional continuity of D WAVE. The intermediate joint, linear or angular, allows for the continuous passage of cables and light sources without interruptions or falloff.

Anchor brackets

Positioned every 50 cm, they ensure secure and stable installation on any floor or ground and with any zenithal or lateral curvature. The brackets guarantee completely safe installation in any location and in all surface conditions.

Closing element

The end element that closes D-WAVE completes the marker light, making it perfectly unified and continuous along the entire length. An essential accessory from a functional and aesthetic point of view.



2000 mm