



Application: parks, pedestrians, bicycle routes

Assembly: depending on the type of head

A - pole top mounted or on extension arms with $\varnothing 60 \times 50$ mm,

B - pole top mounted with $\varnothing 60 \times 180$ mm

Ingress protection: IP 66

Material: cap – formed aluminium sheet

diffuser - tempered glass

luminaire body - aluminum alloy, anodized

Luminaire net weight: 6,6 kg with 'A' type assembly head, 7,1 kg with 'B' type assembly head,;

Anodising: 10 colours, each with possibility of chemical brightening

Number of LEDs: 16

Expected useful lifetime:: L90F10 – 50 000 h, L80F20 – 100000 h

Operating temperature range: from -40°C to +40°C

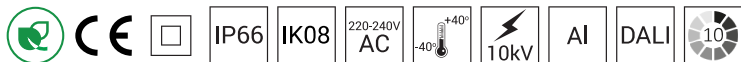
CRI: >80 for 2700K, 3500K; >70 for 4000K, 5000K

Input voltage frequency: 50/60Hz

Power factor: ≥ 0.95

Inrush current: : 18A / 280 μ s

Luminaire RING 1 LED has the possibility to connect to an external control system via DALI interface (optionally via analog signal 1- 10V).



Code	Symbol	LED power	Luminaire Power consumption	LED forward current	Colour temperature (CCT)	LEDs luminous flux ¹⁾	Luminaire luminous flux ¹⁾	Luminous efficacy	Unit volume
212030/.../1/.../C...²⁾	RING 1 LED 24	24W	28W	500mA	2700K	3 350lm	2550lm	91lm/W	0,08m ³
212030/.../3/.../C...²⁾	RING 1 LED 24	24W	28W	500mA	3500K	3 550lm	2700lm	96lm/W	0,08m ³
212030/.../4/.../C...²⁾	RING 1 LED 24	24W	28W	500mA	4000K	4 050lm	3050lm	109lm/W	0,08m ³
212030/.../6/.../C...²⁾	RING 1 LED 24	24W	28W	500mA	5000K	4 050lm	3050lm	109lm/W	0,08m ³
212032/.../1/.../C...²⁾	RING 1 LED 36	36W	40W	750mA	2700K	4 750lm	3600lm	90lm/W	0,08m ³
212032/.../3/.../C...²⁾	RING 1 LED 36	36W	40W	750mA	3500K	5 100lm	3850lm	96lm/W	0,08m ³
212032/.../4/.../C...²⁾	RING 1 LED 36	36W	40W	750mA	4000K	5 750lm	4350lm	109lm/W	0,08m ³
212032/.../6/.../C...²⁾	RING 1 LED 36	36W	40W	750mA	5000K	5 750lm	4350lm	109lm/W	0,08m ³
212033/.../1/.../C...²⁾	RING 1 LED 48	48W	55W	1000mA	2700K	6 000lm	4550lm	83lm/W	0,08m ³
212033/.../3/.../C...²⁾	RING 1 LED 48	48W	55W	1000mA	3500K	6 450lm	4850lm	88lm/W	0,08m ³
212033/.../4/.../C...²⁾	RING 1 LED 48	48W	55W	1000mA	4000K	7 250lm	5500lm	100lm/W	0,08m ³
212033/.../6/.../C...²⁾	RING 1 LED 48	48W	55W	1000mA	5000K	7 250lm	5500lm	100lm/W	0,08m ³

1) tolerance +/- 5% due to LEDs accuracy

2) symbol of chosen optical system eg. 212030/**A**/6/**T4**/**C35** is RING 1 LED 24W 5000K, / A / is the mounting head type 'A', / T4 / is the T4 optical system, / C45 is the anodizing color of the C35 black luminaire

3) the weight of the luminaire with the 'A' type head is 6.6 kg / with the 'B' type head is 7.1 kg

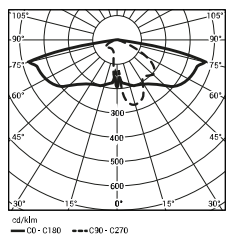
Directive: 2014/35/UE (Official Journal of the UE L 96/357 29.03.2014), 2014/30/UE (Official Journal of the UE L 96/79 29.03.2014), 2011/65/UE, 2009/125/EC

In order to efficient discharge the electrostatic charge from the housing of LED fitting installed on the pole from dielectric material (non-conductive) one of the following solutions is required (for more information visit: www.rosa.pl/en/knowledge/LED-lighting):

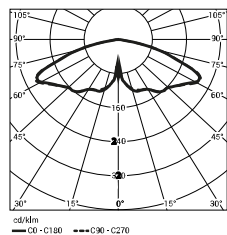
- functional grounding

- LED luminaire with an additional protection device

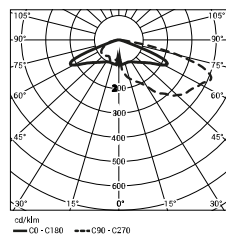
SP



VS



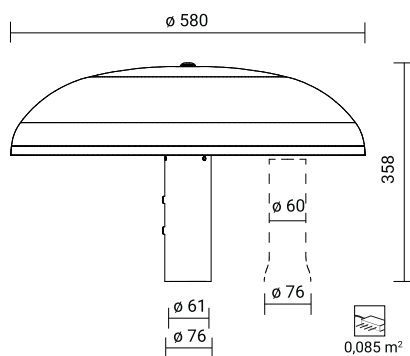
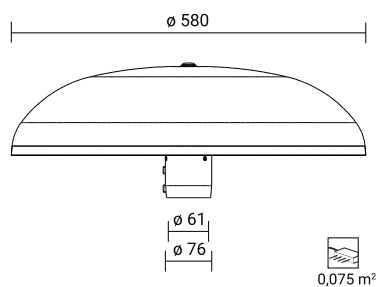
T4



TYPE OF INSTALLATION

RING 1 LED WITH 'A' TYPE MOUNTING HEAD

RING 1 LED WITH 'B' TYPE MOUNTING HEAD



Luminaire RING 1 LED in standard has following functions of intelligent power supply:

- Connection to outside control system by DALI interface (operation of analog signal 1-10V as an option),
- Possibility of programming multistage dimming of luminaire, up to 5 intervals in the range of from 10 to 100% of nominal power,
- Temperature protection of LED module (from overheating) in case of unintentional luminaire operation during the,
- Regulation of power / luminous flux – the option of setting another value than the catalogue in the range of 30-100% of nominal one,

Acceptable quantity of luminaires RING 1 LED on one circuit, protected by:

Acceptable quantity of luminaires RING 1 LED on one circuit, protected by:

Overcurrent switches MCB type B or C

Luminaire	Typ	2A	4A	6A	10A	16A	20A	25A
RING 1 LED	B	4	7	12	18	30	37	46
	C	4	12	18	31	51	62	78

Fuse – type gG and GL

Luminaire	2A	4A	6A	10A	16A	20A	25A
RING 1 LED	1	10	20	26	52	71	101