

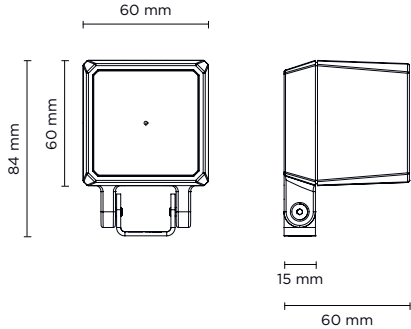


101601

QUBO MICRO HP

Designed by
NAVA + AROSIO

Floodlight for outdoor installation on a façade/wall, with U shape fixing bracket allowing vertical adjustment of +90° / -40°. Phospho-chromatised and polyester powder coated die-cast copper-free aluminium base and head, tempered safety glass, moulded silicone gaskets, with screws in stainless steel. Remote 24V DC power supply needed, with 1 x CREE "XHP35" LED. IP66 rating.



| light source | light beam options | lumen output (lm) | lumin. efficacy (lm/w) |
|-----------------------------|--------------------|-------------------|------------------------|
| 3000°K warm-white | | | |
| high-power led | 4° | 510 | 85.00 |
| high-power led | 10° | 489 | 81.50 |
| high-power led | 28° | 474 | 79.00 |
| 4000°K neutral-white | | | |
| high-power led | 4° | 520 | 86.67 |
| high-power led | 10° | 499 | 83.17 |
| high-power led | 28° | 484 | 80.67 |

Finish color options:

- Textured Grey
RAL 9006
- Anthracite Grey
RAL 7016
- Matt Black
(on request)

Technical features



Technical data

| | |
|---------------|--|
| Wattage | 6 WATT |
| IP Rating | IP66 |
| IK Rating | 10 |
| Material | High corrosion resistance die-cast copper-free aluminum body |
| Coating | Polyester powder coating with phosphochromating pre-finish |
| Light source | 1 x CREE "XHP35" LED |
| Screws | Stainless steel |
| Remote driver | Constant voltage 24V DC |
| Gasket | Silicone rubber |
| Glass | Tempered |
| Power cable | 1 mt. power cable included |
| Gross weight | 0,70 Kg |



OTHER VIEW

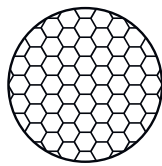


OPTIONAL

AC044
SPIKE



AC071
HONEYCOMB LOUVER



AC075
ANTI-GLARE VISOR



AC038
TREE STRAP



remote driver selection

| brand | manufacturer code | type | watt | IP rate | numbers of fixtures |
|----------|-------------------|-------------------------|------|---------|---------------------|
| Meanwell | LPV-20-24 | constant voltage 24V DC | 20W | IP67 | min 1 - max 3 |
| Meanwell | LPV-35-24 | constant voltage 24V DC | 35W | IP67 | min 1 - max 5 |
| Meanwell | LPV-60-24 | constant voltage 24V DC | 60W | IP67 | min 1 - max 9 |

