



## LED Downlight Performer HG

- Advanced high quality LED downlight
- Unique optical lens concept with high gloss (HG) reflector and low glare
- Low luminaire height (max 73mm)
- Direct replacement for compact fluorescent downlights - saving over 60% of energy costs
- IP44 on light emitting side
- Common cut-out diameters of 150mm and 200mm
- Provided with protective foil in order to protect the optics against dust and dirt during the installation



## Specifications

Item Code	Item Description	Equivalent to (W)	Power (W)	Lumen	Efficacy (lm/W)	UGR	CCT (K)	Colour rendering index CRI	Weight (kg/pc)
140057154	LEDDownlightRc-P-HG R150-11.5W-3000	CFL 1x18W	11.5	1240	108	19	3000	≥ 80	0.45
140057155	LEDDownlightRc-P-HG R150-11.5W-4000	CFL 1x18W	11.5	1265	110	19	4000	≥ 80	0.45
140057152	LEDDownlightRc-P-HG R200-15W-3000	CFL 1x26W	15	1620	108	19	3000	≥ 80	0.76
140057153	LEDDownlightRc-P-HG R200-15W-4000	CFL 1x26W	15	1650	110	19	4000	≥ 80	0.76
540001083800	LEDDownlightRc-P-HG R200-15W-940	CFL 1x26W	15	1650	110	19	4000	≥ 90	0.76
140057156	LEDDownlightRc-P-HG R200-23W-3000	CFL 2x26W	23	2480	108	19	3000	≥ 80	0.76
140057157	LEDDownlightRc-P-HG R200-23W-4000	CFL 2x26W	23	2530	110	19	4000	≥ 80	0.76
540001084000	LEDDownlightRc-P-HG R200-23W-940	CFL 2x26W	23	2530	110	19	4000	≥ 90	0.76
140057158	LEDDownlightRc-P-HG R200-33W-3000	CFL 2x32W	33	3560	108	22	3000	≥ 80	0.76
140057159	LEDDownlightRc-P-HG R200-33W-4000	CFL 2x32W	33	3630	110	22	4000	≥ 80	0.76
140057162	LEDDownlightRc-P-HG R150-11.5W-DALI-3000	CFL 1x18W	11.5	1240	108	19	3000	≥ 80	0.45
140057163	LEDDownlightRc-P-HG R150-11.5W-DALI-4000	CFL 1x18W	11.5	1265	110	19	4000	≥ 80	0.45
140057160	LEDDownlightRc-P-HG R200-15W-DALI-3000	CFL 1x26W	15	1620	108	19	3000	≥ 80	0.76
140057161	LEDDownlightRc-P-HG R200-15W-DALI-4000	CFL 1x26W	15	1650	110	19	4000	≥ 80	0.76
540001084600	LEDDownlightRc-P-HG R200-15W-DALI-940	CFL 1x26W	15	1650	110	19	4000	≥ 90	0.76
140057164	LEDDownlightRc-P-HG R200-23W-DALI-3000	CFL 2x26W	23	2480	108	19	3000	≥ 80	0.76
140057165	LEDDownlightRc-P-HG R200-23W-DALI-4000	CFL 2x26W	23	2530	110	19	4000	≥ 80	0.76
540001084800	LEDDownlightRc-P-HG R200-23W-DALI-940	CFL 2x26W	23	2530	110	19	4000	≥ 90	0.76
140057166	LEDDownlightRc-P-HG R200-33W-DALI-3000	CFL 2x32W	33	3560	108	22	3000	≥ 80	0.76
140057167	LEDDownlightRc-P-HG R200-33W-DALI-4000	CFL 2x32W	33	3630	110	22	4000	≥ 80	0.76

Item Code	Item Description	Equivalent to (W)	Power (W)	Lumen	Efficacy (lm/W)	UGR	CCT (K)	Colour rendering index CRI	Weight (kg/pc)
140063611	LEDDownlightRc-P-HG R150-11.5W-BLE-3000	CFL 1x18W	11.5	1240	108	19	3000	≥ 80	0.51
140063612	LEDDownlightRc-P-HG R150-11.5W-BLE-4000	CFL 1x18W	11.5	1265	110	19	4000	≥ 80	0.51
140063613	LEDDownlightRc-P-HG R200-15W-BLE-3000	CFL 1x26W	15	1620	108	19	3000	≥ 80	0.83
140063614	LEDDownlightRc-P-HG R200-15W-BLE-4000	CFL 1x26W	15	1650	110	19	4000	≥ 80	0.83
540001085400	LEDDownlightRc-P-HG R200-15W-BLE-940	CFL 1x26W	15	1650	110	19	4000	≥ 90	0.83
140063615	LEDDownlightRc-P-HG R200-23W-BLE-3000	CFL 2x26W	23	2480	108	19	3000	≥ 80	0.83
140063616	LEDDownlightRc-P-HG R200-23W-BLE-4000	CFL 2x26W	23	2530	110	19	4000	≥ 80	0.83
540001085600	LEDDownlightRc-P-HG R200-23W-BLE-940	CFL 2x26W	23	2530	110	19	4000	≥ 90	0.83
140063617	LEDDownlightRc-P-HG R200-33W-BLE-3000	CFL 2x32W	33	3560	108	22	3000	≥ 80	0.83
140063618	LEDDownlightRc-P-HG R200-33W-BLE-4000	CFL 2x32W	33	3630	110	22	4000	≥ 80	0.83

Available on request with 3- or 5- or 3+2 pole Wieland GST18i or Wago WINSTA connector. BLE versions are not compatible with surface module accessories.

## Accessories



140060646  
LEDDownlightRc-P-HZ-Adapter-150-175



140061242  
LEDDownlightRc-P-R150-Surface-Module-WH



549098001400  
LEDDownlightRc-P EM-kit 3h

140060647  
LEDDownlightRc-P-SI-E-Adapter-200-225

140061243  
LEDDownlightRc-P-R200-Surface-Module-WH

549098001300  
LEDDownlightRc-P EM-kit 1h

140060648  
LEDDownlightRc-P-SI-E-Adapter-200-250

See appendix for adapter ring dimensional drawings.

### Technical Specifications

Lifetime (L70)	60,000 h
Lifetime (L80)	40,000 h
On-/Off-cycles	100,000
Colour consistency (SDCM)	3
Dimmability	On-Off / DALI / BLE
Beam angle	70 °
Finishing	White RAL9003
CF001598	n/a
IP recessed part	IP20
Impact strength	IK02
Protection class	II
Risk group (EN 62471)	RG0 / RG1 (23W & 33W)
With control gear	Yes
Glow wire test	650 °C
Driver failure rate (at 5,000 hrs)	1 %
Power factor	≥ 0.9

### Electrical Supply

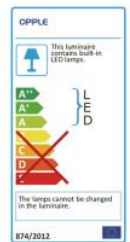
Frequency	50/60 Hz
Nominal voltage	220-240 V AC
DC input voltage	See Appendix 3

### Mechanical Properties

Material housing	Die-casted Aluminum
Optical material	Polycarbonate

### Ambient Conditions

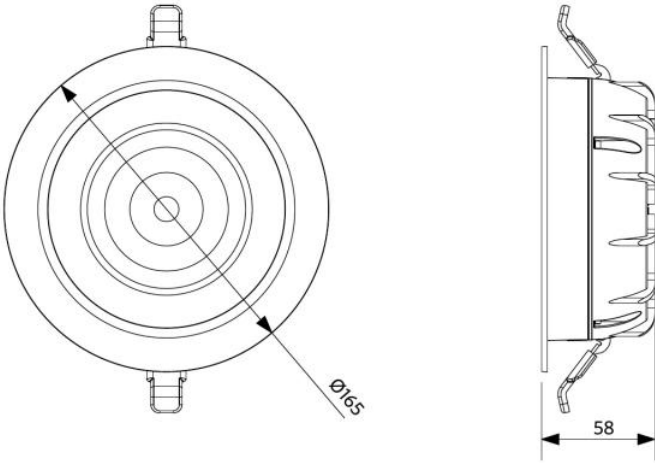
Operating temperature	-10 ~ 40 °C
Application temperature	25 °C
Storage environment	-25 ~ 50 °C



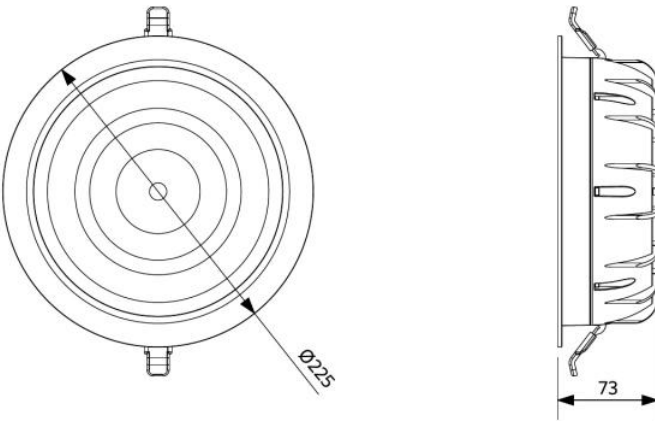
874/2012

# Dimensional Drawing (mm)

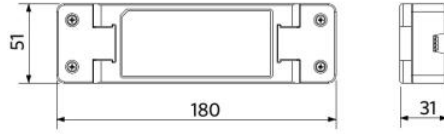
LEDDownlightRc-P-HG R150



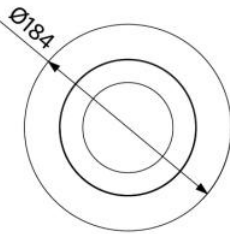
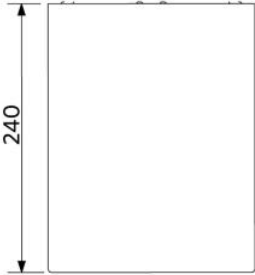
LEDDownlightRc-P-HG R200



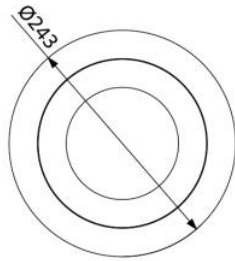
LEDDownlight Driver



LEDDownlightRc-P-R150-Surface-Module



LEDDownlightRc-P-R200-Surface-Module



# Installation Opening Drawing (mm)

LEDDownlightRc-P-HG R150  
Ø150



LEDDownlightRc-P-HG R200  
Ø200

