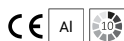


## Columns for traffic signal lights

**Anodising:** 10 colours, each with possibility of chemical brightening

**Finish:** grinded, anodised aluminium, option of elastomer protection in the colour of the column up to the height of 350 mm (other height on customer's request)

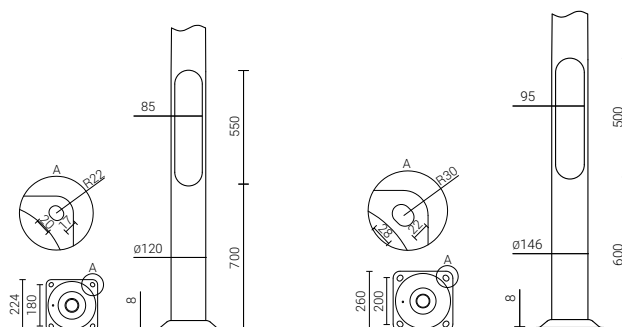
**Purpose:** designed for hanging signal devices at road intersections, pedestrian crossings etc.

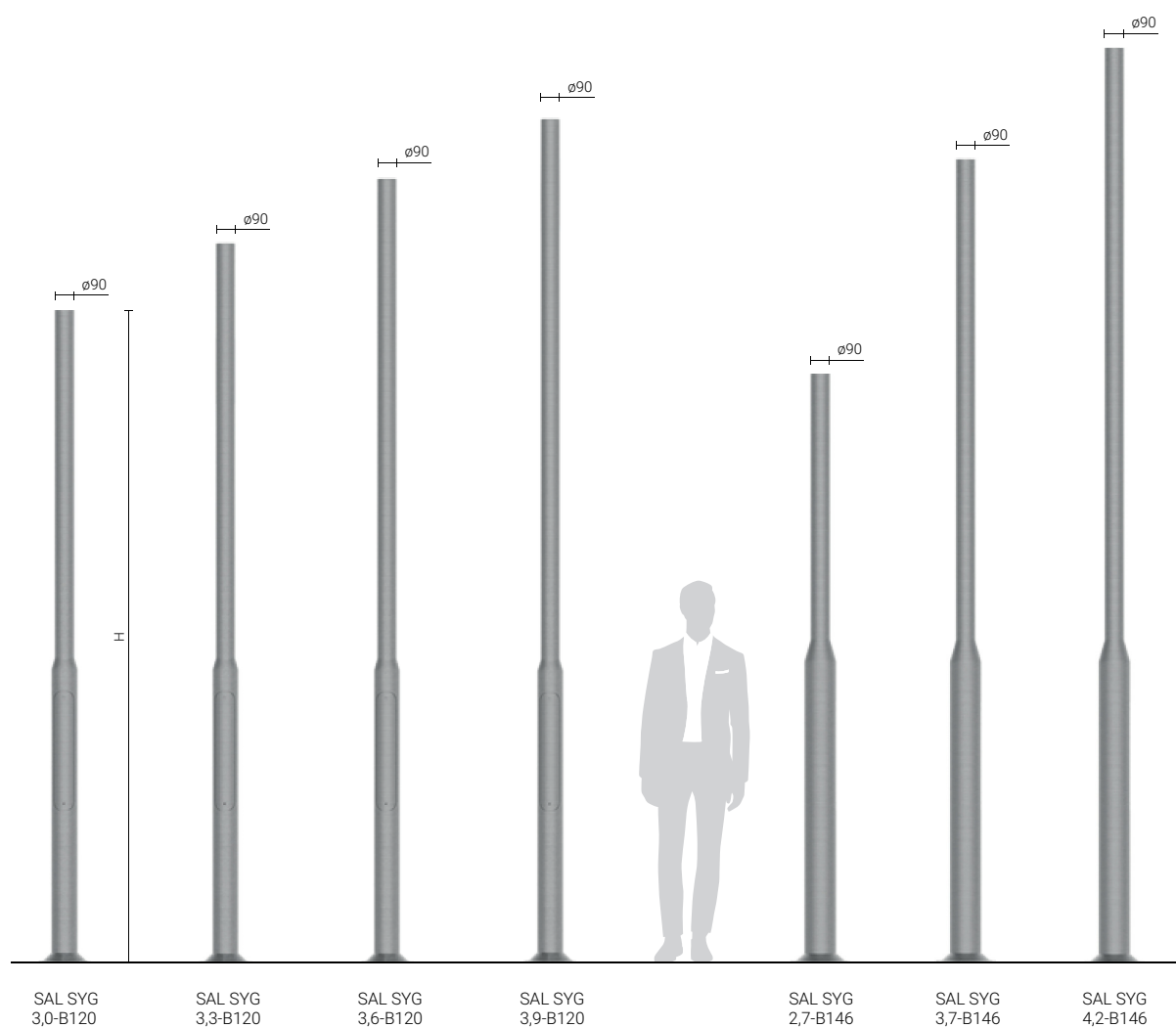


Column type	SAL SYG 3,0-B120	SAL SYG 3,3-B120	SAL SYG 3,6-B120	SAL SYG 3,9-B120	SAL SYG 2,7-B146	SAL SYG 3,7-B146	SAL SYG 4,2-B146
Height of the column H [mm]	3000	3300	3600	3900	2700	3700	4200
Code	42824/C...	42825/C...	42826/C...	42827/C...	42820/C...	42822/C...	42823/C...
Net weight [kg]	12,1	13,1	14	15	13,2	16,5	18,1
Approximate unit volume [m <sup>3</sup> ]*	0,078	0,086	0,094	0,102	0,089	0,122	0,139
Traffic signal lights and signs top column mounting	with Ø90 spigot entry with weight and windage not exceeding data in resistance calculations						
Concrete footing / reinforcement basket type	B-50 / Z-50			B-51 / Z-51			
Threaded anchor ending	4 x M14			4 x M18			
Concrete footing / reinforcement basket code	311150 / 311205			311151 / 311251			
Fasteners	4006			4008			
Dimension of the base plate (side / bolt spacing / thickness) [mm]	224 / 180 / 8			260 / 200 / 8			

\* For order of more than 10 pcs stated volume may change according to packing /C... = choice of anodising colour

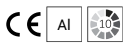
Fontenay-sous-Bois, France





## Columns for traffic signal lights

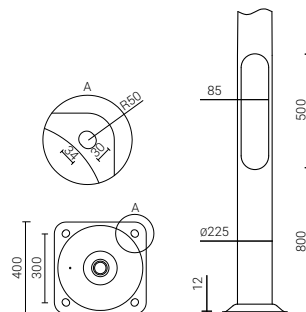
**Anodising:** 10 colours, each with possibility of chemical brightening  
**Finish:** grinded, anodised aluminium, option of elastomer protection in the colour of the column up to the height of 350 mm (other height on customer's request)  
**Purpose:** designed for hanging signal devices at road intersections, pedestrian crossings etc.

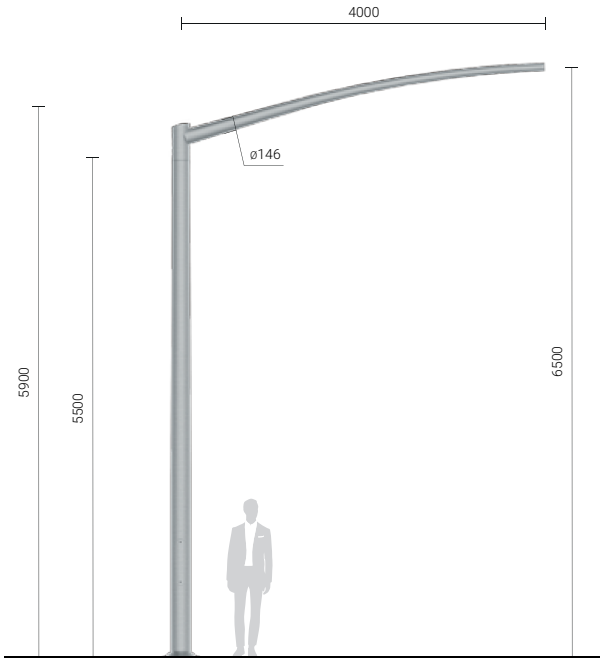


Column type	SAL SYG 65-4	SAL SYG 65-7
Height of the column H [mm]	6500	6500
Code	<b>42810/C...</b>	<b>82811/C...</b>
Net weight [kg]	90,2	119,4
Approximate unit volume [m³]*	0,84	1,04
Traffic signal lights and signs top column mounting	with Ø90 spigot entry with weight and windage not exceeding data in resistance calculations	
Concrete footing / reinforcement basket type	B-80 / Z-80	
Threaded anchor ending	4 x M24	
Concrete footing / reinforcement basket code	311180 / 311 208	
Fasteners	4012	
Dimension of the base plate (side / bolt spacing / thickness) [mm]	400 / 300 / 12	400 / 300 / 20

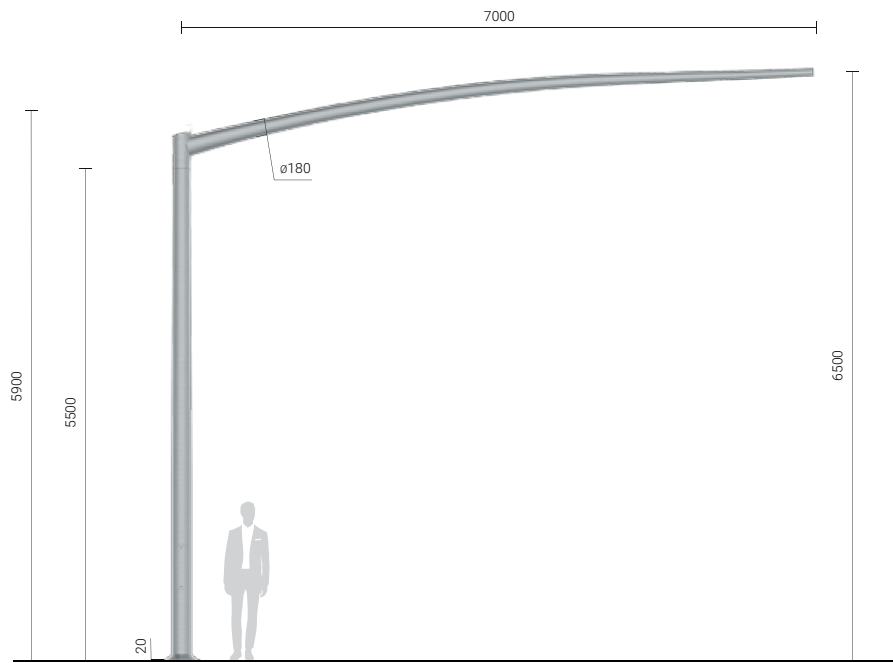
\* For order of more than 10 pcs stated volume may change according to packing  
 /C... - choice of anodising colour

Warsaw, Poland





SAL SYG 65-4



SAL 65-7