



## TECHNICAL DATA

Anodising	10 colours
Diffuser	transparent
Application	surrounding office buildings, parks, pedestrians
Ingress protection	IP 65
Material	anodised aluminium alloy
Expected useful lifetime	L90B10 - 100 000 h
CRI	>70
Input voltage frequency	50/60Hz
Number of LED	1



IK10

## TABLE OF VARIANTS

Code	Symbol	Height of the column [H]	LED power	Luminaire power consumption	LED forward current	Colour temperature (CCT)	Luminaire luminous flux <sup>1</sup>	Luminous efficacy <sup>1</sup>	Unit volume	Concrete footing / reinforcement basket type	Concrete footing / reinforcement basket code	Net weight
45290/1/C...	SLICE LED 1000	1 000 mm	12 W	14 W	700 mA	2700 K	350 lm	25 lm/W	0.021 m³	B-0A / Z-0A	311100A / 311200A	4.6 kg
45290/3/C...	SLICE LED 1000	1 000 mm	12 W	14 W	700 mA	3500 K	450 lm	32 lm/W	0.021 m³	B-0A / Z-0A	311100A / 311200A	4.6 kg
45290/4/C...	SLICE LED 1000	1 000 mm	12 W	14 W	700 mA	4000 K	500 lm	35 lm/W	0.021 m³	B-0A / Z-0A	311100A / 311200A	4.6 kg
45290/6/C...	SLICE LED 1000	1 000 mm	12 W	14 W	700 mA	5000 K	500 lm	35 lm/W	0.021 m³	B-0A / Z-0A	311100A / 311200A	4.6 kg
45291/1/C...	SLICE LED 1200	1 200 mm	12 W	14 W	700 mA	2700 K	850 lm	61 lm/W	0.025 m³	B-0A / Z-0A	311100A / 311200A	5.3 kg
45291/3/C...	SLICE LED 1200	1 200 mm	12 W	14 W	700 mA	3500 K	1000 lm	71 lm/W	0.025 m³	B-0A / Z-0A	311100A / 311200A	5.3 kg
45291/4/C...	SLICE LED 1200	1 200 mm	12 W	14 W	700 mA	4000 K	1050 lm	75 lm/W	0.025 m³	B-0A / Z-0A	311100A / 311200A	5.3 kg
45291/6/C...	SLICE LED 1200	1 200 mm	12 W	14 W	700 mA	5000 K	1050 lm	75 lm/W	0.025 m³	B-0A / Z-0A	311100A / 311200A	5.3 kg

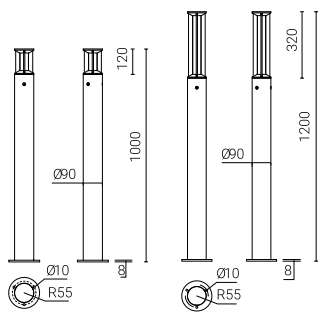
1) tolerance +/- 7% due to LEDs accuracy

## DIRECTIVES AND STANDARDS

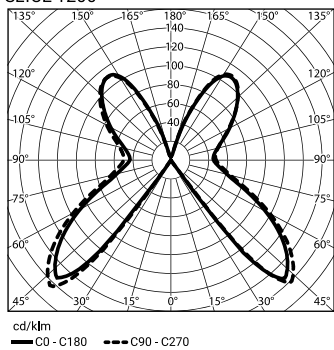
**DIRECTIVES:** 2014/35/UE (Official Journal of the UE L 96/357 29.03.2014), 2014/30/UE (Official Journal of the UE L 96/79 29.03.2014), 2011/65/UE RoHS (Official Journal of the UE L 174/88 01.07.2011), 2009/125/EC(Official Journal of the UE L 285/10 31.10.2009)

**STANDARDS:** PN-EN IEC 60598-1: 2021-7, PN-EN 60598-2-3: 2006, PN-EN 60529: 2003, PN-EN 62262: 2003, PN-EN 62471:2010, PN-EN 55015: 2019, PN-EN 61547: 2009, PN-EN 61000-3-2: 2019 , PN-EN 61000-3-3: 2014

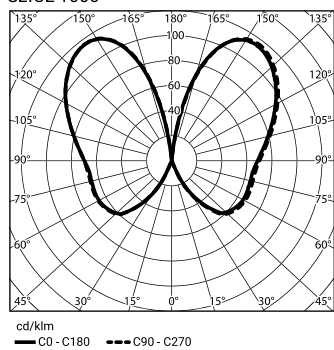
Lighting parameters presented based on laboratory tests according to IESNA LM-79-19



SLICE 1200



SLICE 1000



Overcurrent switches MCB type B or C

Lighting columns	Typ	2A	4A	6A	10A	16A	20A	25A
SLICE LED	B	1	2	3	5	8	10	12
	C	1	3	5	8	13	16	20

Fuse – type gG and GL

Lighting columns	2A	4A	6A	10A	16A	20A	25A
SLICE LED	0	3	5	7	15	20	29