



TECHNICAL DATA

Anodising	10 colours
Diffuser	transparent
Application	surrounding office buildings, parks, pedestrians
Ingress protection	IP 65 for the optical part and the driver
Material	anodised aluminium alloy
Expected useful lifetime	L80B20 – 100 000 h
CRI	>70
Input voltage frequency	50/60Hz
Power factor	≥0.95
Number of LED	64 - (FLARE LED 1), 128 - (FLARE LED 2)
Control system	LED lighting column has the possibility to connect to an external control system via DALI interface (optionally via analog signal 1-10V).

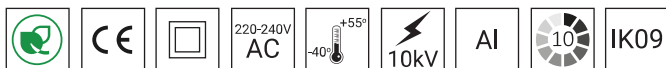


TABLE OF VARIANTS

Code	Symbol	Height of the column [H]	LED power	Luminaire power consumption	LED forward current	Colour temperature (CCT)	Luminaire luminous flux ¹	Luminous efficacy ¹	Unit volume	Concrete footing / reinforcement basket type	Concrete footing / reinforcement basket code	Fasteners	Net weight
45280/3/C...	FLARE LED 1	1 200 mm	14 W	16 W	580 mA	3500 K	750 lm	54 lm/W	0.027 m³	B-0A / Z-0A	311100A / 311200A	Fasteners	8.5 kg
45280/6/C...	FLARE LED 1	1 200 mm	14 W	16 W	580 mA	5000 K	750 lm	54 lm/W	0.027 m³	B-0A / Z-0A	311100A / 311200A	Fasteners	8.5 kg
45281/3/C...	FLARE LED 2	1 286 mm	20 W	22 W	580 mA	3500 K	1400 lm	71 lm/W	0.029 m³	B-0A / Z-0A	311100A / 311200A	Fasteners	9 kg
45281/6/C...	FLARE LED 2	1 286 mm	20 W	22 W	580 mA	5000 K	1400 lm	71 lm/W	0.029 m³	B-0A / Z-0A	311100A / 311200A	Fasteners	9 kg

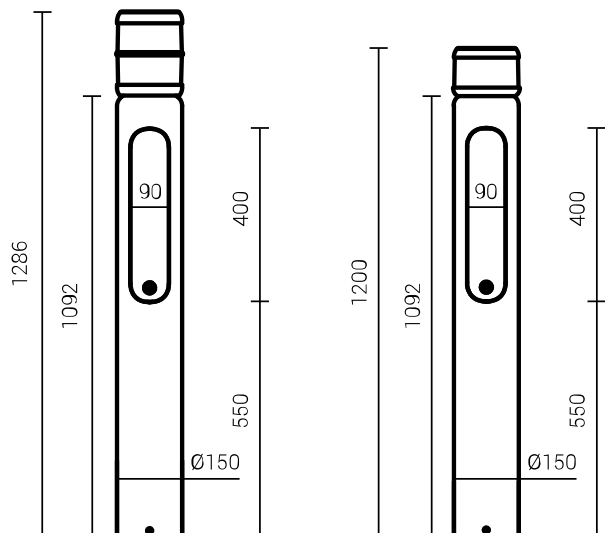
1) tolerance +/- 7% due to LEDs accuracy

DIRECTIVES AND STANDARDS

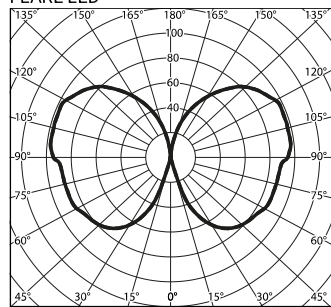
DIRECTIVES: 2014/35/UE (Official Journal of the UE L 96/357 29.03.2014), 2014/30/UE (Official Journal of the UE L 96/79 29.03.2014), 2011/65/UE RoHS (Official Journal of the UE L 174/88 01.07.2011), 2009/125/EC(Official Journal of the UE L 285/10 31.10.2009)

STANDARDS: PN-EN IEC 60598-1: 2021-7, PN-EN 60598-2-3: 2006, PN-EN 60529: 2003, PN-EN 62262: 2003, PN-EN 62471:2010, PN-EN 55015: 2019, PN-EN 61547: 2009, PN-EN 61000-3-2: 2019, PN-EN 61000-3-3: 2014

Lighting parameters presented based on laboratory tests according to IESNA LM-79-19



FLARE LED



cd/klm
 — C0 - C180 - - - C90 - C270

Overcurrent switches MCB type B or C

Lighting columns	Typ	2A	4A	6A	10A	16A	20A	25A
FLARE LED	B	3	6	10	16	26	32	40
	C	3	10	16	27	44	54	67

Fuse – type gG and GL

Lighting columns	2A	4A	6A	10A	16A	20A	25A
FLARE LED	1	10	19	25	50	68	97