

LIGHT SOURCE

LED quantity	1
Power max	4 W
Total lumen output (3000K)	155 lm
Efficacy lm/W (3000K)	39 lm/W
LOR (3000K)	36%
CRI	>80->90
LED Temperature (K)	2700 K-3000 K-3000 K CRI>90-4000 K-5000 K
Average operational life	50.000 hours

OPTIC

Material	Optical glass
Available optics	50°
Beam direction	Fixed
Flux symmetry	Symmetrical
Accessories	-

LED FIXTURE

Material	Aluminum
Finish	Aluminum Hard Coat Anodizing (Black, Grey, Titanium, Champagne Gold)
Available finishes	Black, Grey, Titanium, Champagne Gold
IP Rate	IP40
Working Temperature	-20° ÷ +40°
Accessories	-

ELECTRICAL FEATURES

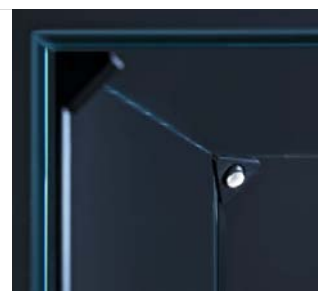
Driver	Remote
Dimmable	Push, 1-10V, DALI
For emergency lighting	-
Connection in	In series at 300mA
Class	III

MECHANICAL FEATURES

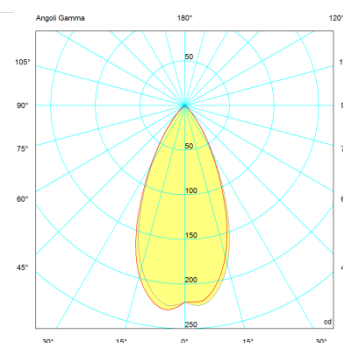
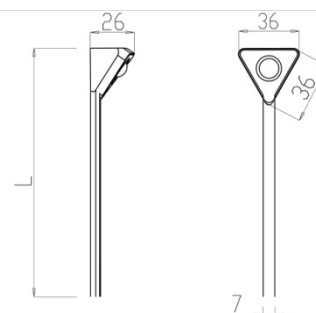
Dimensions (mm): head	36 x 36 x 26
Dimensions (mm): stem	L upon request
Weight	50 gr
Mounting	Corner
Cut-out (mm)	-
Use	Indoor

NOTES

The head comes with double-sided tape to be fixed on the ceiling of the glass display.
The stem works as a cover for the cable.



typical installation in glass showcase



4 W

H(m)	D(m)	E _{max} (lx)	E _{av} (lx)
50°			
1.00	0.88	227	132
2.00	1.76	57	33
3.00	2.64	25	15
4.00	3.53	14	8
5.00	4.41	9	5