

Article no.: 688006

Display lamp, Karva II, black, 24V DC, 2,40 W, coldwhite



Technical Data

General Characteristics

Material	aluminum
Colour	black
Optics	
included in delivery	1,5 m connecting cable

Electrical Characteristics

Power / power consumption	2,40 W / 2,40 W
Input Voltage	24V DC
Input current	
Base (standard designation)	
Number of Bases	
Power supply unit	excl. LED-power supply unit
Electronically reversible	not dimmable
Connection possibility	wire with open ends
Protection class I, II, III	III

Light Technical Data

Bulb	LED-module fixed
Colour Designation	coldwhite
Colour temperature	6000 K
Luminous flux	200 lm
Beam angle	45°
LED type	High Power
LED quantity	2
Spectral power distribution	



Article no.: 688006

Display lamp, Karva II, black, 24V DC, 2,40 W, coldwhite



Light Direction

Rotating and tilting range	swivel
Angle of inclination	
Radiation direction	
Reflector / lense	

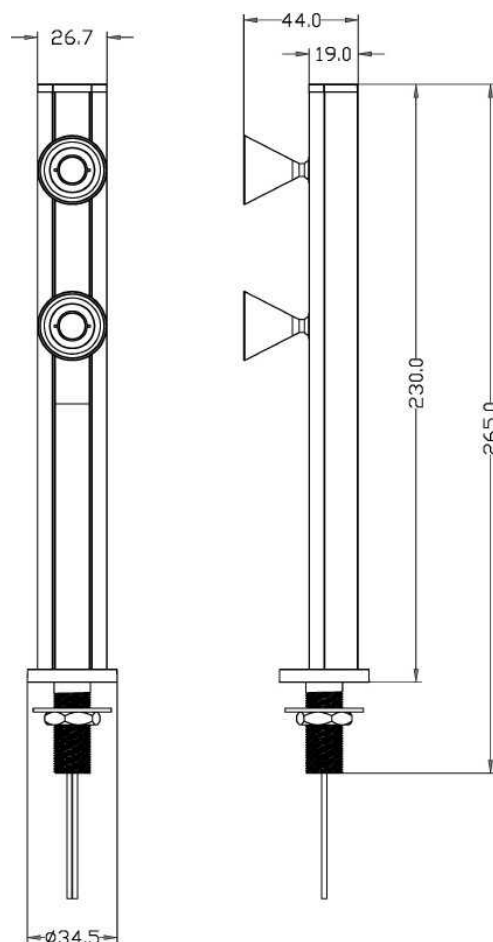
Dimensions & Weight

Length	265 mm
Width	26,7 mm
Height	44 mm
Diameter	
Product Weight	121 g

Absolute maximum ratings

The LED will get damaged and the lifetime will decrease when you overrun absolute maximum ratings.

Working temperature	-20°C - +45°C
Storage temperature	-20°C - +80°C
IP - Code	IP 20





Article no.: 688006

Display lamp, Karva II, black, 24V DC, 2,40 W, coldwhite






General product data

Environmental Characteristics

Energy label	A+
Energy consumption	3 kWh/1000h

Lifespan

Lamp life time	50000 h
Luminous flux (end of lifetime)	0,70
Number of switching cycles	25000

IP 20	Protection against penetration of foreign objects > 50 mm. No protection against penetration of water.
	Lightings of Protection Class III Luminaire in which protection against electric shock relies on supply at safety extra-low voltage (SELV) and in which voltages higher than those of SELV are not generated.
	Because of the complex manufacturing process of the LED the above shown data are just a statistical size, which is not forced to be the realistic data of every LED.
	The light source of this luminaire may only be replaced by the manufacturer or by a service technician appointed by him or by a comparable qualified person