



Bari ECO DL LED



Modern and universal downlight luminaire of high lighting performance, based on LED module. Application: of-fices, hotels, restaurants, halls, shopping malls.

Materials: Powder painted, white aluminum ring, steel sheet body, OPAL diffuser, reflector made of polished aluminum with a purity of 99,85%.

Installation: Into plaster cardboard and modular ceilings.

Power: 230 V

ELECTRICAL DATA

| | |
|-------------------------|---------------|
| Light source | LED |
| Number of light sources | 1 |
| Voltage rating | 220 ... 240 V |
| Light source included | Yes |

MECHANICAL DATA

| | |
|----------------------|----------|
| Type of installation | Recessed |
| Housing material | Aluminum |

INFORMATION

| | |
|-----------------------------|---------------|
| Colour | White |
| Operating temperature range | -15 ... 40 °C |

CERTIFICATES

| | |
|----------------------------------|------|
| Degree of protection (IP) | IP44 |
| Degree of protection (IP) / top/ | IP20 |
| Energy class | A |
| CE | Yes |
| EAC | Yes |

LIGHT DATA

| | |
|---|-----------|
| Light colour | White |
| Color rendering index | 84 |
| Light distribution | Mid beam |
| Light distribution | DI |
| Class of luminaire | I |
| Light output degradation | B10 |
| Lumen maintenance | L80 |
| Lifetime | > 72000 h |
| MacAdam | SDCM 3 |
| Lamp Lumen Maintenance Factor (after 60 000h) | 86 % |

OPTICAL DATA

| | |
|-------------------|------------------|
| Diffuser colour | White |
| Diffuser material | Opal/mat plastic |

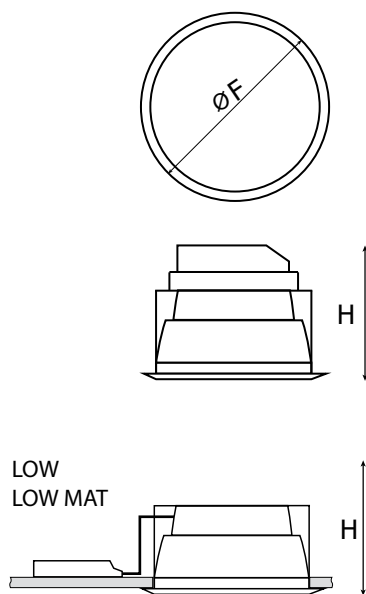
AVAILABE VARIANTS

| Product code | Luminaire power [W] | Luminaire luminous flux [lm] | Luminaire's luminous efficacy [lm/W] | Colour temperature | Info | Class of protection | Weight [kg] |
|--------------|---------------------|------------------------------|--------------------------------------|--------------------|------|---------------------|-------------|
| PX1487050 | 10 | 1140 | 114 | 3000K | - | I | 0.70 |
| PX1487057 | 10 | 1160 | 116 | 4000K | - | I | 0.70 |
| PX1487064 | 15 | 1560 | 104 | 3000K | - | I | 0.70 |
| PX1487071 | 15 | 1590 | 106 | 4000K | - | I | 0.70 |
| PX1487001 | 15 | 1620 | 108 | 3000K | - | I | 0.75 |
| PX1487008 | 15 | 1660 | 110 | 4000K | - | I | 0.75 |

AVAILABLE VARIANTS

| Product code | Luminaire power [W] | Luminaire luminous flux [lm] | Luminaire's luminous efficacy [lm/W] | Colour temperature | Info | Class of protection | Weight [kg] |
|--------------|---------------------|------------------------------|--------------------------------------|--------------------|---------|---------------------|-------------|
| PX1487015 | 19 | 2060 | 108 | 3000K | - | I | 0.85 |
| PX1487022 | 19 | 2090 | 110 | 4000K | - | I | 0.85 |
| PX1487029 | 28 | 2780 | 100 | 3000K | - | I | 0.95 |
| PX1487036 | 28 | 2830 | 101 | 4000K | - | I | 0.95 |
| PX1487085 | 10 | 1150 | 115 | 3000K | LOW | II | 0.70 |
| PX1487087 | 10 | 1170 | 117 | 4000K | LOW | II | 0.70 |
| PX1487089 | 15 | 1560 | 104 | 3000K | LOW | II | 0.70 |
| PX1487091 | 15 | 1590 | 106 | 4000K | LOW | II | 0.70 |
| PX1487073 | 15 | 1620 | 108 | 3000K | LOW | II | 0.75 |
| PX1487075 | 15 | 1650 | 110 | 4000K | LOW | II | 0.75 |
| PX1487077 | 19 | 2060 | 108 | 3000K | LOW | II | 0.85 |
| PX1487079 | 19 | 2090 | 110 | 4000K | LOW | II | 0.85 |
| PX1487081 | 28 | 2780 | 99 | 3000K | LOW | II | 0.95 |
| PX1487083 | 28 | 2830 | 101 | 4000K | LOW | II | 0.95 |
| PX1487443 | 10 | 1100 | 110 | 3000K | LOW MAT | II | 0.70 |
| PX1487450 | 10 | 1120 | 112 | 4000K | LOW MAT | II | 0.70 |
| PX1487457 | 15 | 1500 | 100 | 3000K | LOW MAT | II | 0.70 |
| PX1487464 | 15 | 1530 | 102 | 4000K | LOW MAT | II | 0.70 |
| PX1487401 | 15 | 1550 | 103 | 3000K | LOW MAT | II | 0.75 |
| PX1487408 | 15 | 1580 | 105 | 4000K | LOW MAT | II | 0.75 |
| PX1487415 | 19 | 1970 | 104 | 3000K | LOW MAT | II | 0.85 |
| PX1487422 | 19 | 2000 | 105 | 4000K | LOW MAT | II | 0.85 |
| PX1487429 | 28 | 2660 | 95 | 3000K | LOW MAT | II | 0.95 |
| PX1487436 | 28 | 2710 | 97 | 4000K | LOW MAT | II | 0.95 |

DIMENSIONS



| Product code | H [mm] | F [mm] |
|--------------|--------|--------|
| PX1487050 | 156 | 195 |
| PX1487057 | 156 | 195 |
| PX1487064 | 156 | 195 |
| PX1487071 | 156 | 195 |
| PX1487001 | 156 | 235 |
| PX1487008 | 156 | 235 |
| PX1487015 | 156 | 235 |
| PX1487022 | 156 | 235 |
| PX1487029 | 160 | 235 |
| PX1487036 | 160 | 235 |
| PX1487085 | 102 | 195 |
| PX1487087 | 102 | 195 |
| PX1487089 | 102 | 195 |
| PX1487091 | 102 | 195 |
| PX1487073 | 111 | 235 |
| PX1487075 | 111 | 235 |
| PX1487077 | 111 | 235 |
| PX1487079 | 111 | 235 |
| PX1487081 | 111 | 235 |
| PX1487083 | 111 | 235 |
| PX1487443 | 102 | 195 |
| PX1487450 | 102 | 195 |
| PX1487457 | 102 | 195 |
| PX1487464 | 102 | 195 |
| PX1487401 | 111 | 235 |
| PX1487408 | 111 | 235 |
| PX1487415 | 111 | 235 |
| PX1487422 | 111 | 235 |
| PX1487429 | 111 | 235 |
| PX1487436 | 111 | 235 |

H = Height / Depth | F = Outer diameter