



TECHNICAL DATA

Application	urban roads, residential roads (internal), surrounding office buildings, parks, pedestrians, parkings
Colour	inox / black
Ingress protection	IP 66 for the optical part and the driver
Optical system	PMMA optics
Material	anodised aluminium alloy
Expected useful lifetime	L90B10 - 100 000 h
CRI	>70
Input voltage frequency	50/60Hz
Power factor	≥0.95
Number of LED	2x12
Control system	LED lighting set has the possibility to connect to an external control system via DALI interface (optionally via analog signal 1-10V).

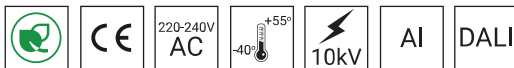
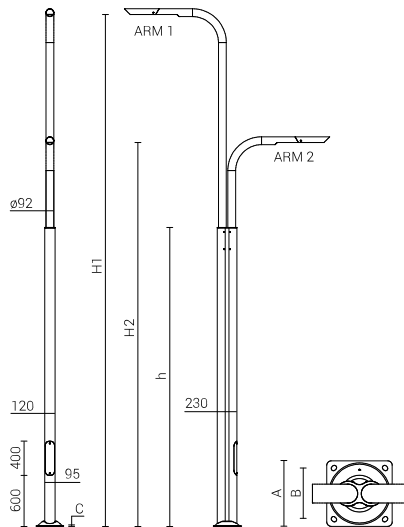


TABLE OF VARIANTS - HEIGHTS

Symbol	Set Height [h]*	Height [h]	Dimension of the base plate (A)/[B]/[C]	Concrete footing / reinforcement basket type	Concrete footing / reinforcement basket code	Fasteners	Net weight	Approximate unit volume
SNAKE II LED	4,0m - 40	3,0m	320 / 250 / 10	B-60 / Z-60	311160 / 311206	4008	42kg	0,70m ³
SNAKE II LED	4,5m - 45	3,5m	320 / 250 / 10	B-60 / Z-60	311160 / 311206	4008	47kg	0,76m ³
SNAKE II LED	5,0m - 50	3,5m	320 / 250 / 10	B-60 / Z-60	311160 / 311206	4008	52kg	0,81m ³
SNAKE II LED	5,5m - 55	3,5m	320 / 250 / 10	B-60 / Z-60	311160 / 311206	4008	57kg	0,87m ³
SNAKE II LED	6,0m - 60	3,5m	320 / 250 / 10	B-60 / Z-60	311160 / 311206	4008	63kg	0,94m ³
SNAKE II LED	6,5m - 65	4,5m	400 / 300 / 10	B-70, B-71 / Z-70, Z71	311170, 311171 / 311207, 311271	4012	67kg	1,01m ³
SNAKE II LED	7,0m - 70	4,5m	400 / 300 / 10	B-70, B-71 / Z-70, Z71	311170, 311171 / 311207, 311271	4012	72kg	1,06m ³
SNAKE II LED	7,5m - 75	5,5m	400 / 300 / 12	B-70, B-71 / Z-70, Z71	311170, 311171 / 311207, 311271	4012	77kg	1,12m ³
SNAKE II LED	8,0m - 80	5,5m	400 / 300 / 12	B-70, B-71 / Z-70, Z71	311170, 311171 / 311207, 311271	4012	82kg	1,20m ³

*) the distance between the arms cannot be bigger than 2 meters

HOW TO GENERATE VARIANT CODES



Order code

2160140/32/3/T3/30/4/T2

Arm height H1
 40 = 4,0m
 45 = 4,5m
 50 = 5,0m
 55 = 5,5m
 60 = 6,0m
 65 = 6,5m
 70 = 7,0m
 75 = 7,5m
 80 = 8,0m

Arm height H2
 40 = 4,0m
 45 = 4,5m
 50 = 5,0m
 55 = 5,5m
 60 = 6,0m
 65 = 6,5m
 70 = 7,0m
 75 = 7,5m
 80 = 8,0m

Arm power variant #1
 for example 32/3/T3 = arm
 SNAKE II LED 36 3500K
 with optics T3

Arm power variant #2
 for example 30/4/T2 = arm
 SNAKE II LED 24 4000K
 with optics T2

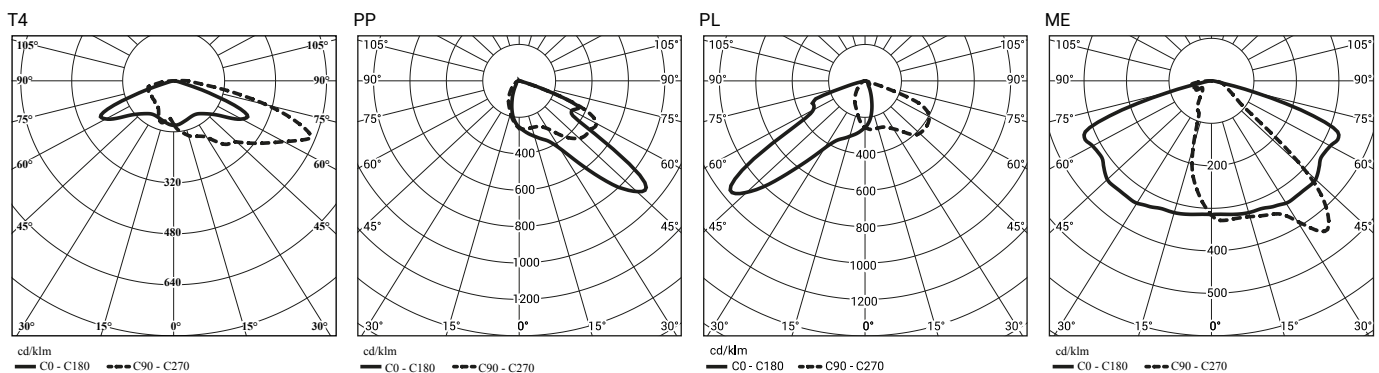
TABLE OF VARIANTS - LIGHTING

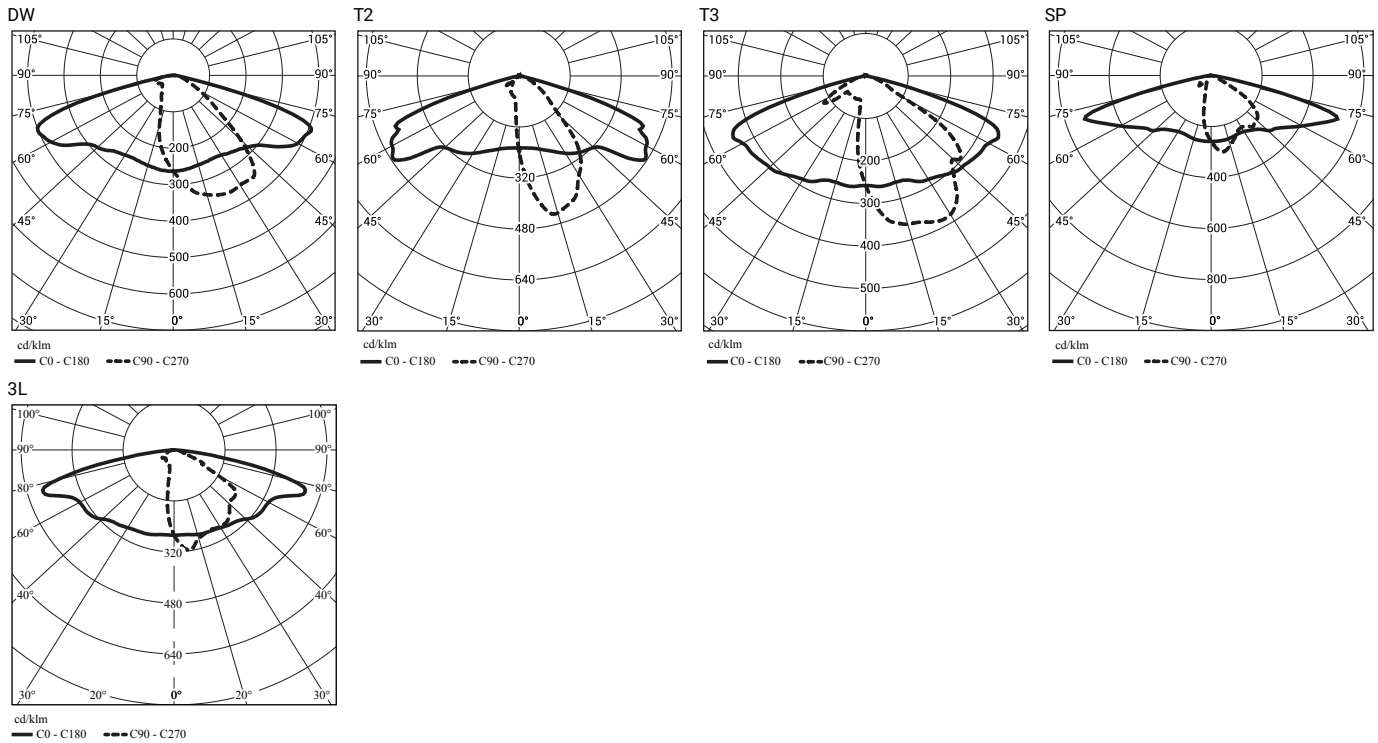
Code	Symbol	LED power	Luminaire Power consumption	LED forward current	Colour temperature (CCT)	LEDs luminous flux ¹	Luminaire luminous flux ¹	Luminous efficacy
27/1/... ²	SNAKE II LED 12	12 W	14 W	350 mA	2700 K	1 850 lm	1 700 lm	121 lm/W
27/3/... ²	SNAKE II LED 12	12 W	14 W	350 mA	3500 K	1 900 lm	1 750 lm	121 lm/W
27/4/... ²	SNAKE II LED 12	12 W	14 W	350 mA	4000 K	2 300 lm	2 100 lm	150 lm/W
27/6/... ²	SNAKE II LED 12	12 W	14 W	350 mA	5000 K	2 300 lm	2 100 lm	150 lm/W
30/1/... ²	SNAKE II LED 24	24 W	28 W	700 mA	2700 K	3 600 lm	3 350 lm	120 lm/W
30/3/... ²	SNAKE II LED 24	24 W	28 W	700 mA	3500 K	3 700 lm	3 500 lm	125 lm/W
30/4/... ²	SNAKE II LED 24	24 W	28 W	700 mA	4000 K	4 350 lm	4 050 lm	145 lm/W
30/6/... ²	SNAKE II LED 24	24 W	28 W	700 mA	5000 K	4 350 lm	4 050 lm	145 lm/W
32/1/... ²	SNAKE II LED 36	36 W	40 W	1000 mA	2700 K	4 900 lm	4 500 lm	113 lm/W
32/3/... ²	SNAKE II LED 36	36 W	40 W	1000 mA	3500 K	5 100 lm	4 750 lm	119 lm/W
32/4/... ²	SNAKE II LED 36	36 W	40 W	1000 mA	4000 K	6 000 lm	5 600 lm	140 lm/W
32/6/... ²	SNAKE II LED 36	36 W	40 W	1000 mA	5000 K	6 000 lm	5 600 lm	140 lm/W

1) tolerance +/- 5% due to LEDs accuracy

2) symbol of chosen optical system eg. 30/6/T2 is a bracket SNAKE II LED 24 with T2 optical system, 5000K

Directive: 2014/35/UE (Official Journal of the UE L 96/357 29.03.2014), 2014/30/UE (Official Journal of the UE L 96/79 29.03.2014), 2011/65/UE, 2009/125/EC **Finish:** option of elastomer protection in the colour of LED lighting sets up to the height of 350 mm (as standard for CI63, CI65, CI75, CI78 interference colors)





Luminaire in standard has following functions of intelligent power supply:

- Connection to outside control system by DALI interface (operation of analog signal 1-10V as an option),
- Possibility of programming multistage dimming of luminaire, up to 5 intervals in the range of from 10 to 100% of nominal power,
- Temperature protection of LED module (from overheating) in case of unintentional luminaire operation during the,
- Regulation of power / luminous flux – the option of setting another value than the catalogue in the range of 30-100% of nominal one,

Overcurrent switches MCB type B or C

Lighting sets	Type	2A	4A	6A	10A	16A	20A	25A
SNAKE II LED	B	3	6	10	16	26	32	40
	C	3	10	16	27	44	54	67

Fuse – type gG and GL

Lighting sets	2A	4A	6A	10A	16A	20A	25A
SNAKE II LED	1	10	19	25	50	68	97

ACCEPTABLE HEIGHT

SNAKE I LED Acceptable height of the LED lighting set

Field category	I zone Vref. = 22 m/s	I & III zone, up to 450m by s.I Vref. = 24 m/s	II zone Vref. = 26 m/s	III zone up to 755m by s.I Vref. = 28 m/s
I	8	8	8	8
II	8	8	8	8
III	8	8	8	8
IV	8	8	8	8