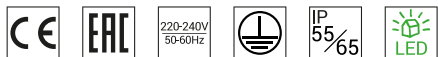
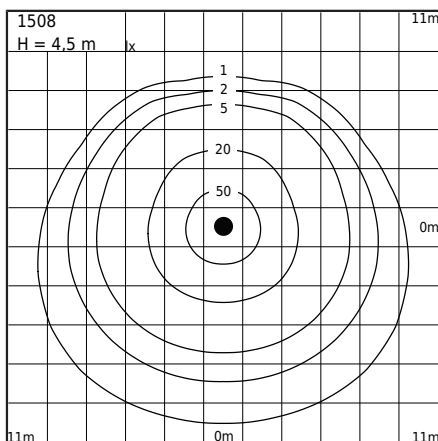
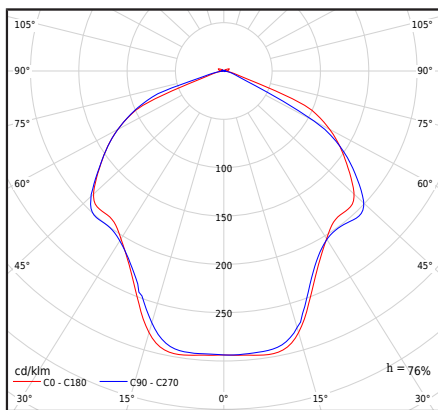
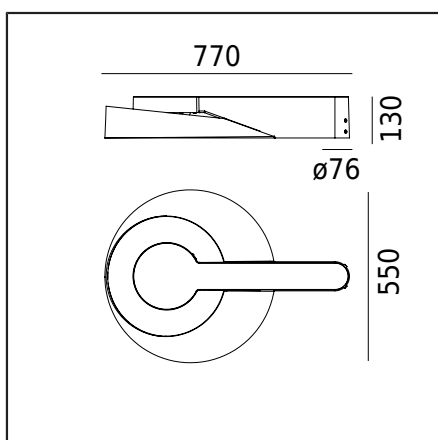


SUNNFJORD 1508



Index	Color	RAL
1508AL	ALUMINIUM	9006
1508GR	GRAPHITE	7016

General information	
Material body	Powder painted aluminum cast.
Diffuser	Lampshade - satin polycarbonate, UV stabilized .
Gasket	Silicone gasket.
Type of light source	LED module, power supply.
Net weight of luminaire	8,57kg
LED module	Philips FORTIMO DLM Flex 3000/840 Gen2
Light source wattage	29,3W
Luminaire wattage	31,5W
Lamp luminous flux	4342lm
Color temperature / consistency	4000K / SDCM3
CRI	80
L70B50	>60 000h
Power Factor luminaire	PF 0,98
Ta Rated temperature	+25°C
Inrush current	18A/250µs
Maximum number of luminaires of this type per MCB:	B 10A: 21, B 16A: 34, C 10A: 35, C 16A: 57
Accessories <small>sold separately</small>	1509xx0009, 3005xx0009, 7662ZX0009, 7664ZX0009



Files to download

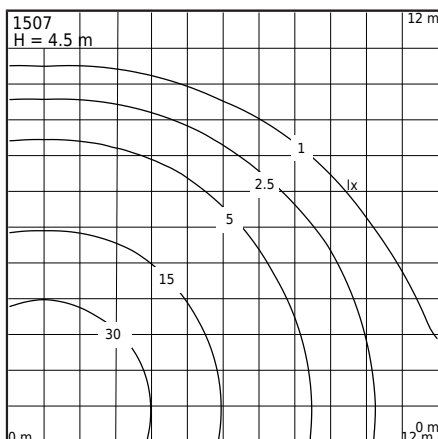
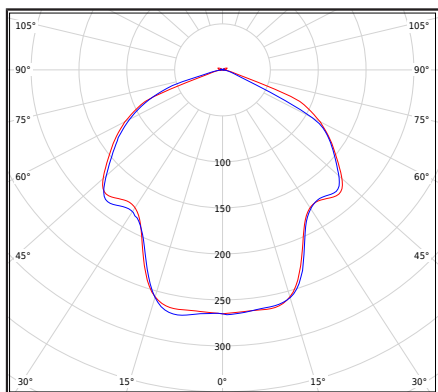
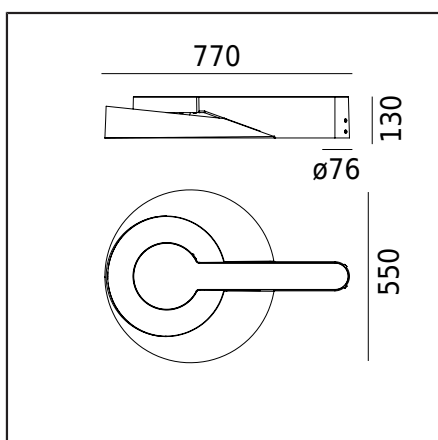
Photometric LDT files, Manual

SUNNFJORD 1507



Index	Color	RAL
1507AL	ALUMINIUM	9006
1507GR	GRAPHITE	7016

General information	
Material body	Powder painted aluminum cast.
Diffuser	Lampshade - satin polycarbonate, UV stabilized .
Gasket	Silicone gasket.
Type of light source	LED module, power supply.
Net weight of luminaire	8,77kg
LED module	Philips FORTIMO DLM Flex 5000/840 Gen2
Light source wattage	42,2W
Luminaire wattage	46,7W
Lamp luminous flux	6000lm
Luminaire luminous flux	4061lm
Light source efficiency	87lm/W
Color temperature / consistency	4000K / SDCM3
CRI	80
L70B50	>60 000h
Power Factor luminaire	PF 0,98
Ta Rated temperature	+25°C
Inrush current	22A/260µs
Maximum number of luminaires of this type per MCB:	B 10A: 15, B 16A: 24, C 10A: 24, C 16A: 40
Accessories sold separately	1509xx0009, 3005xx0009, 7662ZX0009, 7664ZX0009



Files to download

Photometric LDT files, Photometric IES files, Manual