

Lighting columns LED

SAL DECO-1 LED



Racibórz, Poland



Application: residential streets, office buildings surrounding, parks, pedestrian walkways

Ingress protection: IP 65 for the optical part and the driver

Material: anodised aluminium alloy

Optical system: enclosed by heat-resistant glass, cap with external reflectors in the form of convex, mirrored squares; 3 arms connects column with the round cap

Number of LEDs: 8

Expected useful lifetime: L90F10 – 50 000 h, L80F20 – 100 000 h

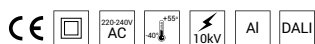
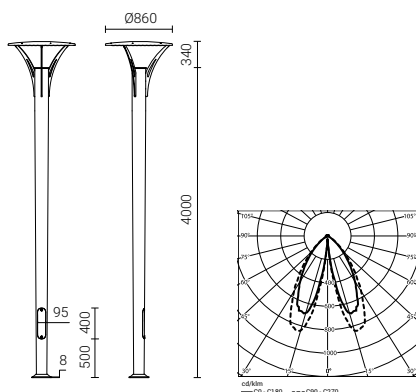
CRI: 5000 K > 70

Unit volume: 0,35 m³

Input voltage frequency: 50/60 Hz

Power factor: ≥ 0.95

Lighting columns SAL DECO-1 LED optionally has the possibility, to connect to an external control system via analog signal 1-10 V.



Code	Name	Height H	LED power	Luminaire power consumption	LED forward current	Colour temperature (CCT)	Luminous flux	Luminous efficacy	Total net weight	Concrete footing / reinforcement basket
42928/C...	SAL DECO-1 LED	4000 mm	65 W	73 W	700 mA	5000 K	4100 lm	56 lm/W	45 kg	B-51A / Z-51 A

/C... – choice of anodising colour