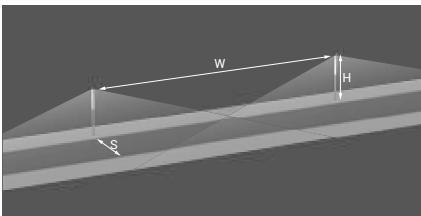


LED lighting columns  
**SAL DECO-3 LED**

Lighting examples



Pavement/promenade

SAL DECO-3 LED 48 W

Parameters:

- H – lighting column height: 3,5 m
- W – lighting column spacing: 20 m
- S – promenade width: 5 m

Lighting class P4

France



**Application:** residential streets, parks, pedestrian routes, office buildings' surroundings

**Protection class:** IP 65 for the optical part and the power supply system

**Material:** anodised aluminium alloy

**Anodising:** 10 colours

**Optical system:** white diffuser made of UV-resistant PC; aluminium decorative elements

**Number of LEDs:** 24

**Expected useful lifetime:** L90B10 - 100 000 h

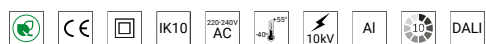
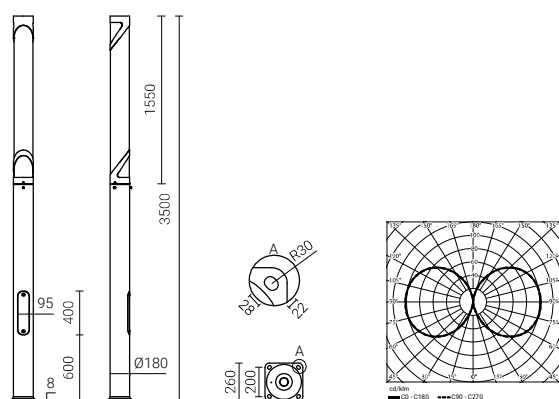
**CRI:** >70

**Unit volume:** 0,12 m<sup>3</sup>

**Input voltage frequency:** 50/60 Hz

**Power factor:** ≥ 0,95

Lighting column SAL DECO-3 LED has the possibility to connect to an external control system via DALI interface (optionally via analogue signal 1-10V).



Code	Symbol	Height H	LED power	Luminaire power consumption	LED forward current	Colour temperature	Net weight	Concrete footing / reinforcement basket
42923/1/C...	SAL DECO-3 LED	3 500 mm	48 W	55 W	700 mA	2 700 K	28 kg	B-51 / Z-51
42923/3/C...	SAL DECO-3 LED	3 500 mm	48 W	55 W	700 mA	3 500 K	28 kg	B-51 / Z-51
42923/4/C...	SAL DECO-3 LED	3 500 mm	48 W	55 W	700 mA	4 000 K	28 kg	B-51 / Z-51
42923/6/C...	SAL DECO-3 LED	3 500 mm	48 W	55 W	700 mA	5 000 K	28 kg	B-51 / Z-51

/C... - choice of anodising colour



Technical parameters  
SAL DECO-3 LED