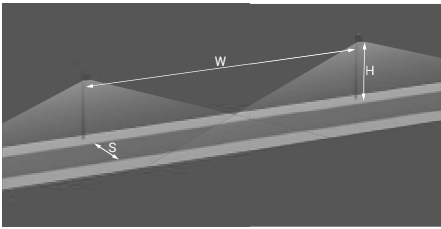


LED luminaires
OW LED

Lighting examples



Park avenue / promenade

OW LED 36, SP optics, transparent diffuser

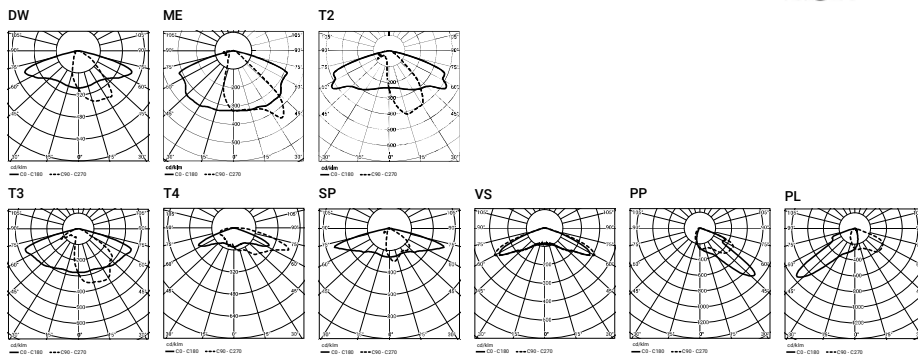
Parameters:

H – luminaire mounting height: 5.2 m

W – column spacing: 34 m

S – road width: 4 m

Lighting class P2



Application: urban roads, residential streets, parks, pedestrian routes, car parks, pedestrian crossing
Installation: on extension arms, wall brackets, columns with extension arms with $\varnothing 42 \times 40$ mm ending

Protection class: IP 66

Material: body and cap – shaped anodised aluminium sheet

Colour: black

Optical system: PMMA optics, interchangeable LED module

Number of LEDs: 12 (for 24 W, 36 W); 24 (for 48 W, 60 W, 72 W)

Expected useful lifetime: L90B10 - 100 000 h

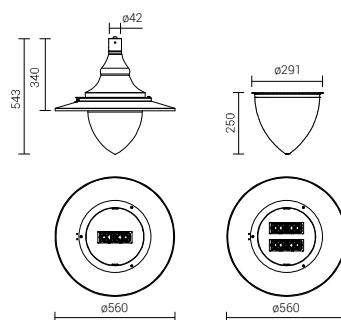
CRI: >70

Unit volume: 0,16 m³

Input voltage frequency: 50/60 Hz

Power factor: ≥ 0.95

Luminaire OW LED has the possibility to connect to an external control system via DALI interface (optionally via analogue 1-10V signal)



Code	Symbol	LED power	Luminaire power consumption	LED forward current	Colour temperature	Net weight
2109030/1/...	OW LED 24	24 W	28 W	700 mA	2 700 K	4,6 kg
2109030/3/...	OW LED 24	24 W	28 W	700 mA	3 500 K	4,6 kg
2109030/4/...	OW LED 24	24 W	28 W	700 mA	4 000 K	4,6 kg
2109030/6/...	OW LED 24	24 W	28 W	700 mA	5 000 K	4,6 kg
2109032/1/...	OW LED 36	36 W	40 W	1 000 mA	2 700 K	4,6 kg
2109032/3/...	OW LED 36	36 W	40 W	1 000 mA	3 500 K	4,6 kg
2109032/4/...	OW LED 36	36 W	40 W	1 000 mA	4 000 K	4,6 kg
2109032/6/...	OW LED 36	36 W	40 W	1 000 mA	5 000 K	4,6 kg
2109033/1/...	OW LED 48	48 W	55 W	700 mA	2 700 K	5,1 kg
2109033/3/...	OW LED 48	48 W	55 W	700 mA	3 500 K	5,1 kg
2109033/4/...	OW LED 48	48 W	55 W	700 mA	4 000 K	5,1 kg
2109033/6/...	OW LED 48	48 W	55 W	700 mA	5 000 K	5,1 kg
2109034/1/...	OW LED 60	60 W	67 W	830 mA	2 700 K	5,1 kg
2109034/3/...	OW LED 60	60 W	67 W	830 mA	3 500 K	5,1 kg
2109034/4/...	OW LED 60	60 W	67 W	830 mA	4 000 K	5,1 kg
2109034/6/...	OW LED 60	60 W	67 W	830 mA	5 000 K	5,1 kg
2109035/1/...	OW LED 72	72 W	79 W	1 000 mA	2 700 K	5,1 kg
2109035/3/...	OW LED 72	72 W	79 W	1 000 mA	3 500 K	5,1 kg
2109035/4/...	OW LED 72	72 W	79 W	1 000 mA	4 000 K	5,1 kg
2109035/6/...	OW LED 72	72 W	79 W	1 000 mA	5 000 K	5,1 kg

/... Symbol of selected optical system

Code	Symbol	Diffuser weight
690893	Diffuser PMMA transparent do OW LED	0,57 kg
690898	Diffuser PMMA frosted do OW LED	0,57 kg



Technical parameters
OW LED

