



Application: parks, pedestrians, bicycle routes

Assembly: pole top mounted or on extension arms with $\varnothing 60 \times 50$ mm ending

Ingress protection: IP 66

Material: base – high-pressure die-casted aluminium alloy, frosted diffuser (PMMA), cap – formed aluminium sheet,

Colour: inox

Operating temperature range: from -40°C to $+40^{\circ}\text{C}$

Expected useful lifetime: L90F10 – 50 000 h, L80F20 – 100 000 h

CRI: >80 for 3500K; >70 for 4000K, 5000K

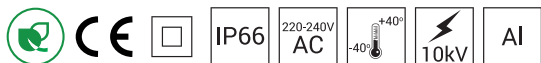
Corrective factor S/P: 1,45 for 3500K; 1,55 for 4000K; 1,8 for 5000K

Input voltage frequency: 50/60Hz

Power factor: ≥ 0.95

Inrush current: : 22A / 250 μs

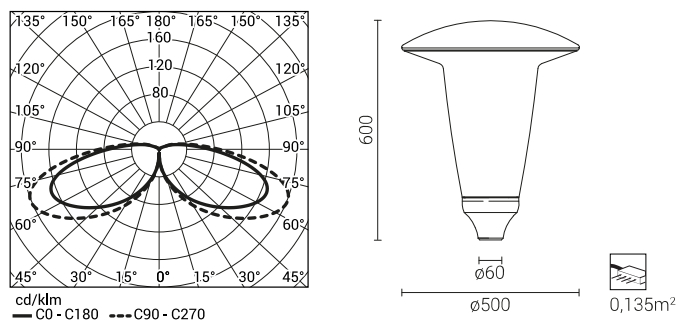
Luminaire ATLANTIS LED has the possibility to connect to an external control system via DALI interface (optionally via analog signal 1- 10V).



Code	Symbol	LED power	Luminaire Power consumption	LED forward current	Colour temperature (CCT)	LEDs luminous flux ¹⁾	Luminaire luminous flux ¹⁾	Luminous efficacy	Unit volume	Luminaire net weight
214650/3	ATLANTIS LED	38W	43W	800mA	3500K	4 000lm	3450lm	80lm/W	0,22m ³	4kg
214650/4	ATLANTIS LED	38W	43W	800mA	4000K	4 350lm	3700lm	86lm/W	0,22m ³	4kg
214650/5	ATLANTIS LED	38W	43W	800mA	5000K	4 550lm	3900lm	91lm/W	0,22m ³	4kg

1) tolerance +/- 3% due to LEDs accuracy

Directive: 2014/35/UE (Official Journal of the UE L 96/357 29.03.2014), 2014/30/UE (Official Journal of the UE L 96/79 29.03.2014), 2011/65/UE, 2009/125/EC



Acceptable quantity of luminaires ATLANTIS LED on one circuit, protected by:

Overcurrent switches MCB type B or C

Oprawa	Typ	2A	4A	6A	10A	16A	20A	25A
ATLANTIS LED	B	2	4	8	15	24	30	37
	C	4	8	15	24	40	49	62

Fuse – type gG and GL

Oprawa	2A	4A	6A	10A	16A	20A	25A
ATLANTIS LED	4	8	15	24	40	49	62