

High-intensity discharge luminaires

OPA-1

Application: parks, pedestrian walkways

Assembly: on columns, extension arms, aluminium and steel wall brackets with spigot ending $\varnothing 60$ mm, length 50 mm

Ingress protection: IP 65

Insulation class: II

Material: die cast aluminium-alloy, electrical gear cover – polycarbonate

Colour: black (possibility to paint in other colours – polyester powder paints)

Mounting: only upwards

Luminaire type: OPA-1 – diameter of lamp diffuser collar neck $\varnothing 150$ mm

Unit volume: 0,01 m³

Input voltage frequency: 50 Hz

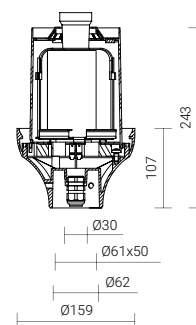
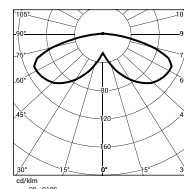


Luminaire OPA-1



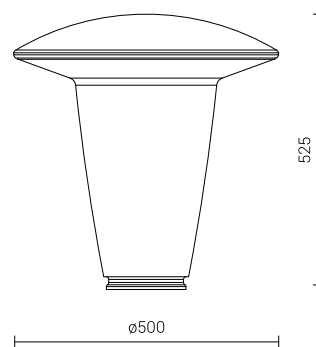
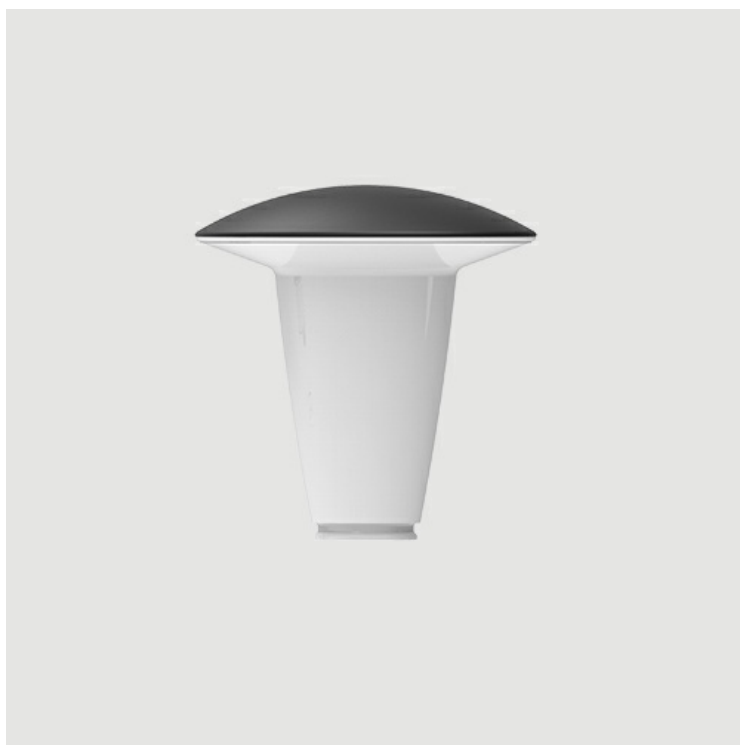
Luminaire OPA-1, diffuser Atlantis

OPA-1 S-70W
Diffuser sphere painted $\varnothing 400$



Code	Name	Power	Light source	Luminaire net weight	Diffuser types
211802	OPA-1 S-70W	70 W	Sodium E-27	2,9 kg	Auris, Auris Maxi, Auris I, Auris Maxi I, Atlantis, Sphere $\varnothing 400-500$
211803	OPA-1 S-100W	100 W	Sodium E-27	3,1 kg	Auris, Auris Maxi, Auris I, Auris Maxi I, Atlantis, Sphere $\varnothing 400-500$
211807	OPA-1 MH-70W	70 W	Metal halide E-27	2,9 kg	Auris, Auris Maxi, Auris I, Auris Maxi I, Atlantis, Sphere $\varnothing 400-500$
211808	OPA-1 MH-100W	100 W	Metal halide E-27	3,1 kg	Auris, Auris Maxi, Auris I, Auris Maxi I, Atlantis, Sphere $\varnothing 400-500$
211815	OPA-1 E/Z	23 W	Compact fluorescent lamp E-27	1,3 kg	Auris, Auris Maxi, Auris I, Auris Maxi I, Atlantis, Sphere $\varnothing 400-500$

Atlantis frozen painted black PMMA with cap



Code	Symbol	Colour	Material type	Luminaire types	Max power of luminaire	Lamp diffuser neck	Volume	Luminaire net weight
662368	Atlantis frozen painted black PMMA with cap	Cap painted black	Frosted PMMA	OPA-1	Sodium and metal halide - 150W	150mm	0,13m ³	2,63kg
670368	Atlantis frozen painted other PMMA with cap	Cap painted other colour	Frosted PMMA	OPA-1	Sodium and metal halide - 150W	150mm	0,13m ³	2,63kg