



**Application:** parks, pedestrians, bicycle routes

**Assembly:** pole top mounted or on extension arms with  $\varnothing 60 \times 50$  mm ending

**Ingress protection:** IP 65

**Material:** base – high-pressure die-casted aluminium alloy

cap – formed aluminium sheet

diffuser – frosted cylindrical  $\varnothing 200$  mm (PMMA)

**Expected useful lifetime:** L90F10 – 50 000 h, L80F20 – 100 000 h

**Operating temperature range:** from  $-40^{\circ}\text{C}$  to  $+40^{\circ}\text{C}$

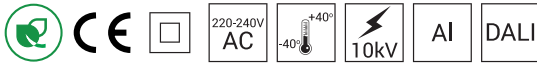
**CRI:** >80

**Input voltage frequency:** 50 - 60Hz

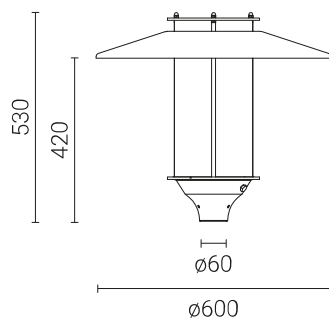
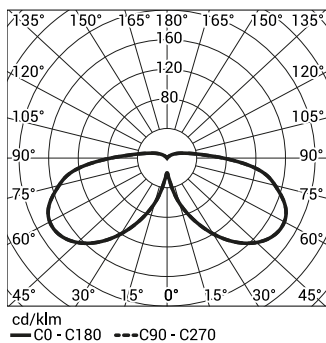
**Power factor:**  $\geq 0.95$

**Inrush current:** : 18A / 280 $\mu\text{s}$

Luminaire ELBA LED has the possibility to connect to an external control system via DALI interface (optionally via analog signal 1- 10V).



Code	Symbol	LED power	Luminaire Power consumption	LED forward current	Colour temperature (CCT)	LEDs luminous flux <sup>1)</sup>	Luminaire luminous flux <sup>1)</sup>	Luminous efficacy	Unit volume	Luminaire net weight
<b>213050/1</b>	ELBA LED black	33W	36W	940mA	2700K	5 300lm	3650lm	101lm/W	0,06m <sup>3</sup>	5kg
<b>2131050/1/C45</b>	ELBA LED inox	33W	36W	940mA	2700K	5 300lm	3450lm	96lm/W	0,06m <sup>3</sup>	5kg
<b>213050/3</b>	ELBA LED black	33W	36W	940mA	3500K	5 750lm	3950lm	110lm/W	0,06m <sup>3</sup>	5kg
<b>2131050/3/C45</b>	ELBA LED inox	33W	36W	940mA	3500K	5 750lm	3750lm	104lm/W	0,06m <sup>3</sup>	5kg
<b>213050/4</b>	ELBA LED black	33W	36W	940mA	4000K	5 850lm	4000lm	111lm/W	0,06m <sup>3</sup>	5kg
<b>2131050/4/C45</b>	ELBA LED inox	33W	36W	940mA	4000K	5 850lm	3800lm	106lm/W	0,06m <sup>3</sup>	5kg



1) tolerance +/- 7% due to LEDs accuracy

**Directive:** 2014/35/UE (Official Journal of the UE L 96/357 29.03.2014), 2014/30/UE (Official Journal of the UE L 96/79 29.03.2014), 2011/65/UE, 2009/125/EC

**In order to efficient discharge the electrostatic charge from the housing of LED fitting installed on the pole from dielectric material (non-conductive) one of the following solutions is required (for more information visit:**

[www.rosa.pl/en/knowledge/LED-lighting](http://www.rosa.pl/en/knowledge/LED-lighting)):

- functional grounding
- LED luminaire with an additional protection device

**Acceptable quantity of luminaires ELBA LED on one circuit, protected by:**

Overcurrent switches MCB type B or C

Luminaire	Typ	2A	4A	6A	10A	16A	20A	25A
ELBA LED	B	4	7	12	18	30	37	46
	C	4	12	18	31	51	62	78

Fuse – type gG and GL

Luminaire	2A	4A	6A	10A	16A	20A	25A
ELBA LED	1	10	20	26	52	71	101