

CORONA LED



Application: surrounding office buildings, parks, parkings

Assembly: pole top mounted with $\varnothing 60 \times 95$ mm ending

Ingress protection: IP 66

Material: anodised aluminium alloy

Colour: inox / graphite

Number of LEDs: 216

Operating temperature range: from -40°C to $+55^{\circ}\text{C}$

Expected useful lifetime: L90F10 – 50 000 h, L80F20 – 100 000 h

CRI: >70

Corrective factor S/P: 1,8

Input voltage frequency: 50 - 60Hz

Power factor: ≥ 0.95

Inrush current: : 46A / 250 μs

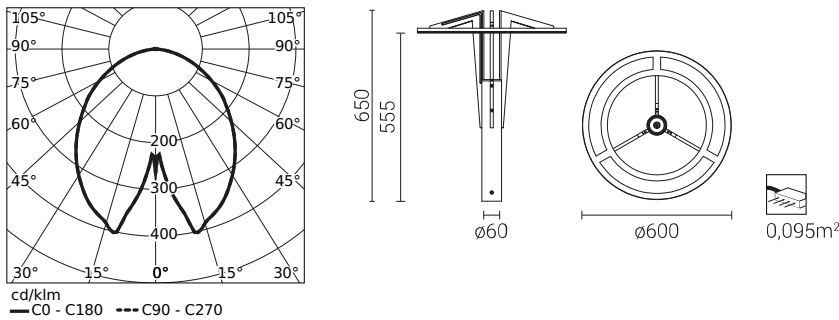
Luminaire CORONA LED has the possibility to connect to an external control system via DALI interface (optionally via analog signal 1- 10V).



Code	Symbol	LED power	Luminaire Power consumption	LED forward current	Colour temperature (CCT)	LEDs luminous flux ¹⁾	Luminaire luminous flux ¹⁾	Luminous efficacy	Unit volume	Luminaire net weight
214735/6	CORONA LED 72	72W	80W	1000mA	5000K	10 500lm	9000lm	112lm/W	0,25m ³	13kg

1) tolerance +/- 3% due to LEDs accuracy

Directive: 2014/35/UE (Official Journal of the UE L 96/357 29.03.2014), 2014/30/UE (Official Journal of the UE L 96/79 29.03.2014), 2011/65/UE, 2009/125/EC



Luminaire CORONA LED in standard has following functions of intelligent power supply:

- Connection to outside control system by DALI interface (operation of analog signal 1-10V as an option),
- Possibility of programming multistage dimming of luminaire, up to 5 intervals in the range of from 10 to 100% of nominal power,
- Temperature protection of LED module (from overheating) in case of unintentional luminaire operation during the,
- Regulation of power / luminous flux – the option of setting another value than the catalogue in the range of 30-100% of nominal one,

Acceptable quantity of luminaires CORONA LED on one circuit, protected by:

Overcurrent switches MCB type B or C

Luminaire	Typ	2A	4A	6A	10A	16A	20A	25A
CORONA LED	B	1	2	4	6	11	13	17
	C	1	4	6	11	18	28	28

Fuse – type gG and GL

Luminaire	2A	4A	6A	10A	16A	20A	25A
CORONA LED	1	2	11	19	30	38	47